

## 2006 Blower Series

Dimensions: 20X20X06 mm

Bearing Type: Hydraulic

Function Type: FG/RD Signal, PWM pulse

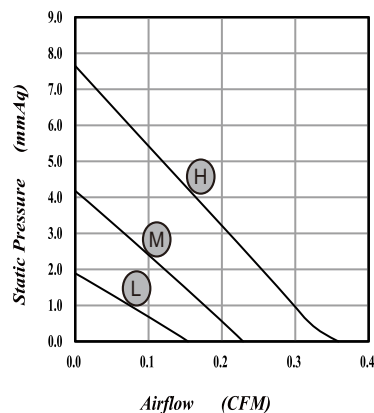
Protection: Auto Restart Protection or General Options



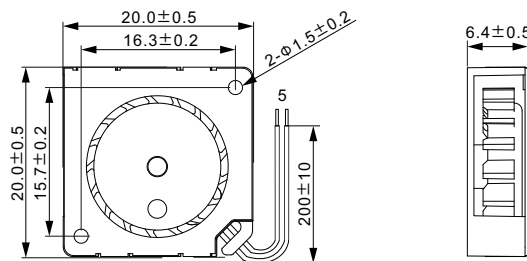
## SPECIFICATIONS

MODEL NO	VOLTAGE	CURRENT	POWER	SPEED	AIR FLOW		STATIC PRESSURE		NOISE	CURVE
	V	A	W	RPM	CMM	CFM	mmH <sub>2</sub> O	INH <sub>2</sub> O	(dBA)	
2006RVL-N (P/M) 5	5	0.10	0.50	9000	0.004	0.15	1.89	0.074	19.5	L
2006RVM-N (P/M) 5	5	0.15	0.75	13000	0.006	0.23	4.18	0.165	29.5	M
2006RVH-N (P/M) 5	5	0.20	1.00	17000	0.010	0.36	7.65	0.301	36.4	H
2006RVL-N (P/M) 1	12	0.06	0.72	9000	0.004	0.15	1.89	0.074	19.5	L
2006RVM-N (P/M) 1	12	0.10	1.20	13000	0.006	0.23	4.18	0.165	29.5	M
2006RVH-N (P/M) 1	12	0.15	1.80	17000	0.010	0.36	7.65	0.301	36.4	H

## PERFORMANCE CURVES



## DIMENSIONS DRAWING



\*Specifications are subject to change without notice

## 3004 Blower Series

Dimensions: 30X30X04 mm

Bearing Type: FDB,Hydraulic

Function Type: FG/RD Signal,PWM pulse

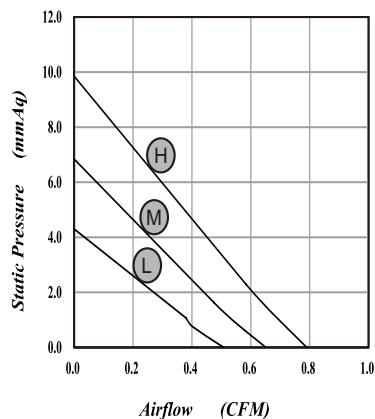
Protection: Auto Restart Protection or General Options



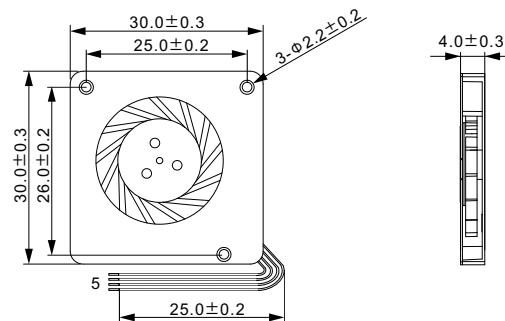
## SPECIFICATIONS

MODEL NO	VOLTAGE	CURRENT	POWER	SPEED	AIR FLOW		STATIC PRESSURE		NOISE	CURVE
	V	A	W	RPM	CMM	CFM	mmH <sub>2</sub> O	INH <sub>2</sub> O	(dBA)	
3004RVL-N (P/M) 5	5	0.10	0.50	9000	0.014	0.51	4.30	0.169	29.3	L
3004RVM-N (P/M) 5	5	0.20	1.00	11000	0.018	0.65	6.84	0.269	35.1	M
3004RVH-N (P/M) 5	5	0.30	1.50	13000	0.022	0.79	9.85	0.388	40.0	H
3004RVL-N (P/M) 1	12	0.05	0.06	9000	0.014	0.51	4.30	0.169	29.3	L
3004RVM-N (P/M) 1	12	0.10	1.20	11000	0.018	0.65	6.84	0.269	35.1	M
3004RVH-N (P/M) 1	12	0.15	1.80	13000	0.022	0.79	9.85	0.388	40.0	H

## PERFORMANCE CURVES



## DIMENSIONS DRAWING



\*Specifications are subject to change without notice

## 3007 Blower Series

Dimensions: 30X30X07 mm

Bearing Type: FDB,Hydraulic

Function Type: FG/RD Signal,PWM pulse

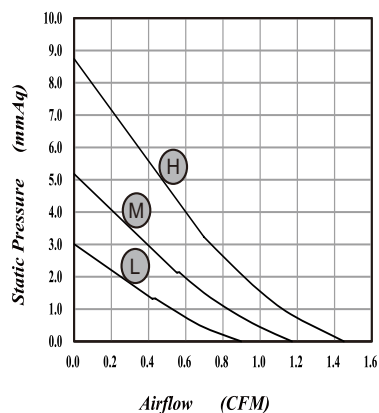
Protection: Auto Restart Protection or General Options



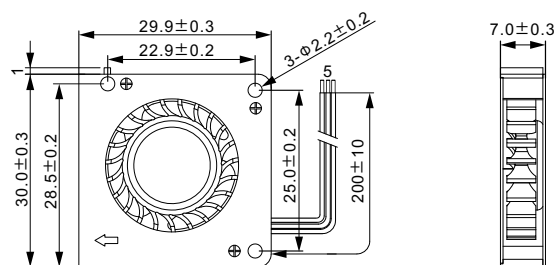
## SPECIFICATIONS

MODEL NO	VOLTAGE	CURRENT	POWER	SPEED	AIR FLOW		STATIC PRESSURE		NOISE	CURVE
	V	A	W	RPM	CMM	CFM	mmH <sub>2</sub> O	INH <sub>2</sub> O	(dBA)	
3007RVL-N (P/M) 5	5	0.13	0.65	6000	0.025	0.90	3.01	0.118	21.5	L
3007RVM-N (P/M) 5	5	0.22	1.10	8000	0.033	1.17	5.18	0.204	29.6	M
3007RVH-N (P/M) 5	5	0.35	1.75	10000	0.041	1.45	8.74	0.344	34.9	H
3007RVL-N (P/M) 1	12	0.07	0.84	6000	0.025	0.90	3.01	0.118	21.5	L
3007RVM-N (P/M) 1	12	0.11	1.32	8000	0.033	1.17	5.18	0.204	29.6	M
3007RVH-N (P/M) 1	12	0.17	2.04	10000	0.041	1.45	8.74	0.344	34.9	H

## PERFORMANCE CURVES



## DIMENSIONS DRAWING



\*Specifications are subject to change without notice

## 3010 Blower Series

Dimensions: 30X30X10 mm

Bearing Type: FDB,Hydraulic,Ball Bearing

Function Type: FG/RD Signal,PWM pulse

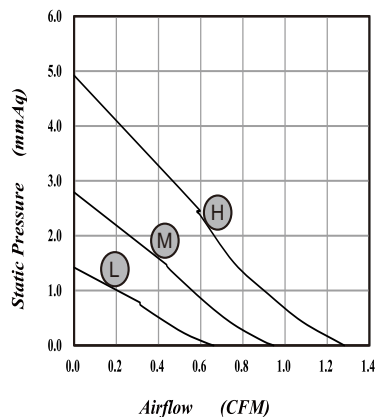
Protection: Auto Restart Protection or General Options



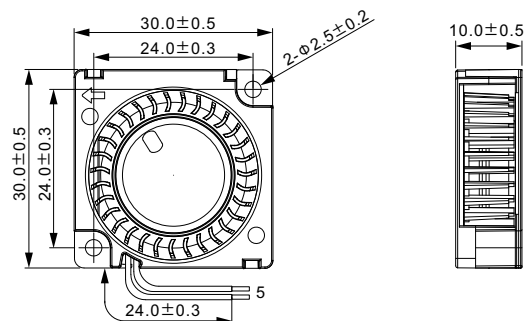
## SPECIFICATIONS

MODEL NO	VOLTAGE	CURRENT	POWER	SPEED	AIR FLOW		STATIC PRESSURE		NOISE	CURVE
	V	A	W	RPM	CMM	CFM	mmH <sub>2</sub> O	INH <sub>2</sub> O	(dBA)	
3010B/R05L-N (P/M)	5	0.18	0.90	5000	0.019	0.66	1.42	0.056	18.4	L
3010B/R05M-N (P/M)	5	0.25	1.25	7000	0.027	0.95	2.79	0.109	25.7	M
3010B/R05H-N (P/M)	5	0.32	1.60	9000	0.036	1.28	4.92	0.194	34.8	H
3010B/RVL-N (P/M) 1	12	0.13	1.56	5000	0.019	0.66	1.42	0.056	18.4	L
3010B/RVM-N (P/M) 1	12	0.20	2.40	7000	0.027	0.95	2.79	0.109	25.7	M
3010B/RVH-N (P/M) 1	12	0.32	3.84	9000	0.036	1.28	4.92	0.194	34.8	H

## PERFORMANCE CURVES



## DIMENSIONS DRAWING



\*Specifications are subject to change without notice

## 4010 Blower Series

Dimensions: 40X40X10 mm

Bearing Type: FDB,Hydraulic,Ball Bearing

Function Type: FG/RD Signal,PWM pulse

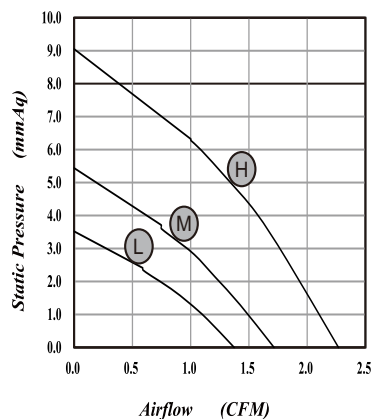
Protection: Auto Restart Protection or General Options



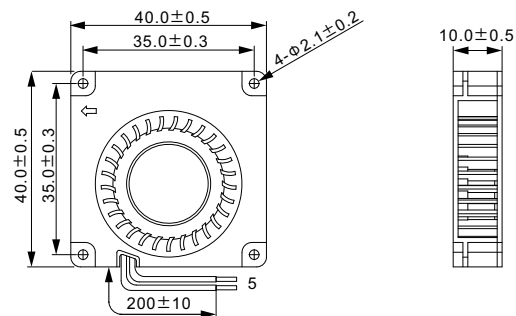
## SPECIFICATIONS

MODEL NO	VOLTAGE	CURRENT	POWER	SPEED	AIR FLOW		STATIC PRESSURE		NOISE	CURVE
	V	A	W	RPM	CMM	CFM	mmH <sub>2</sub> O	INH <sub>2</sub> O	(dBA)	
AD4010B/R05L-N (P/M)	5	0.20	1.00	4500	0.039	1.37	3.52	0.139	22.2	L
AD4010B/R05M-N (P/M)	5	0.35	1.75	5500	0.049	1.72	5.44	0.214	26.6	M
AD4010B/R05H-N (P/M)	5	0.45	2.25	7300	0.064	2.27	9.05	0.356	32.7	H
4010B/RVL-N (P/M) 1	12	0.13	1.56	4500	0.039	1.37	3.52	0.139	22.2	L
4010B/RVM-N (P/M) 1	12	0.22	2.64	5500	0.049	1.72	5.44	0.214	26.6	M
4010B/RVH-N (P/M) 1	12	0.35	4.20	7300	0.064	2.27	9.05	0.356	32.7	H

## PERFORMANCE CURVES



## DIMENSIONS DRAWING



\*Specifications are subject to change without notice

## 4020 Blower Series

Dimensions: 40X40X20 mm

Bearing Type: Hydraulic, Ball Bearing

Function Type: FG/RD Signal, PWM pulse

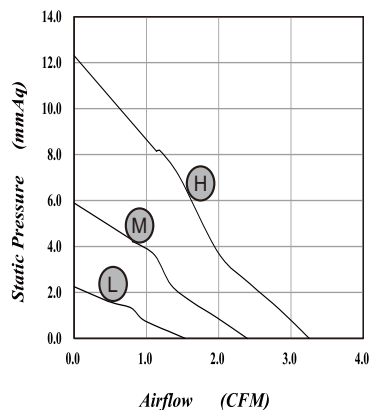
Protection: Auto Restart Protection or General Options



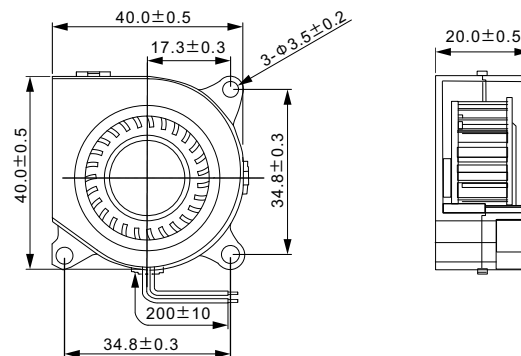
## SPECIFICATIONS

MODEL NO	VOLTAGE	CURRENT	POWER	SPEED	AIR FLOW		STATIC PRESSURE		NOISE	CURVE
	V	A	W	RPM	CMM	CFM	mmH <sub>2</sub> O	INH <sub>2</sub> O	(dBA)	
402HB/RVL-N (P/M) 5	5	0.15	0.75	4000	0.043	1.54	2.25	0.088	23.3	L
402HB/RVM-N (P/M) 5	5	0.22	1.10	6000	0.067	2.40	5.89	0.231	34.7	M
402HB/RVH-N (P/M) 5	5	0.32	1.60	8000	0.092	3.26	12.30	0.484	44.0	H
402HB/RVL-N (P/M) 1	12	0.16	1.92	4000	0.043	1.54	2.25	0.088	23.3	L
402HB/RVM-N (P/M) 1	12	0.25	3.00	6000	0.067	2.40	5.89	0.231	34.7	M
402HB/RVH-N (P/M) 1	12	0.35	4.20	8000	0.092	3.26	12.30	0.484	44.0	H

## PERFORMANCE CURVES



## DIMENSIONS DRAWING



\*Specifications are subject to change without notice

## 4510 Blower Series

Dimensions: 45X45X10 mm

Bearing Type: FDB,Hydraulic,Ball Bearing

Function Type: FG/RD Signal,PWM pulse

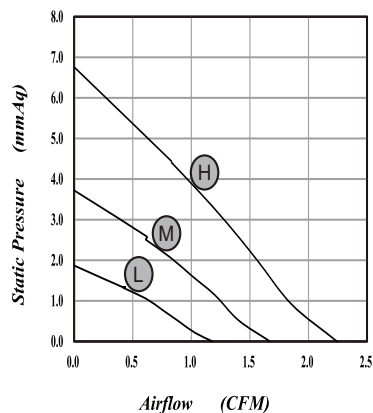
Protection: Auto Restart Protection or General Options



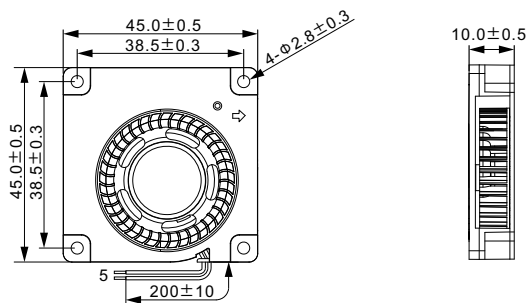
## SPECIFICATIONS

MODEL NO	VOLTAGE	CURRENT	POWER	SPEED	AIR FLOW		STATIC PRESSURE		NOISE	CURVE
	V	A	W	RPM	CMM	CFM	mmH <sub>2</sub> O	INH <sub>2</sub> O	(dBA)	
4510B/RVL-N (P/M) 5	5	0.20	1.00	3000	0.033	1.18	1.87	0.074	18.5	L
4510B/RVM-N (P/M) 5	5	0.30	1.50	4000	0.047	1.67	3.72	0.146	23.7	M
4510B/RVH-N (P/M) 5	5	0.40	2.00	5400	0.063	2.24	6.76	0.266	29.3	H
4510B/RVL-N (P/M) 1	12	0.15	1.80	3000	0.033	1.18	1.87	0.074	18.5	L
4510B/RVM-N (P/M) 1	12	0.25	3.00	4000	0.047	1.67	3.72	0.146	23.7	M
4510B/RVH-N (P/M) 1	12	0.35	4.20	5400	0.063	2.24	6.76	0.266	29.3	H

## PERFORMANCE CURVES



## DIMENSIONS DRAWING



\*Specifications are subject to change without notice

## 5008 Blower Series

Dimensions: 60X45.5X08 mm

Bearing Type: FDB,Hydraulic

Function Type: FG/RD Signal,PWM pulse

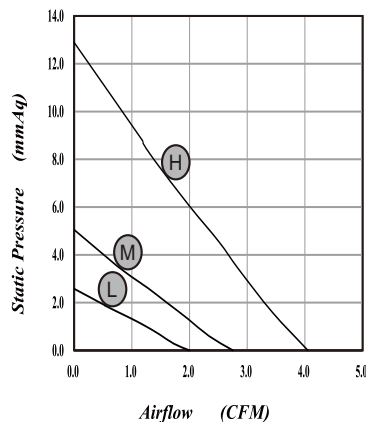
Protection: Auto Restart Protection or General Options



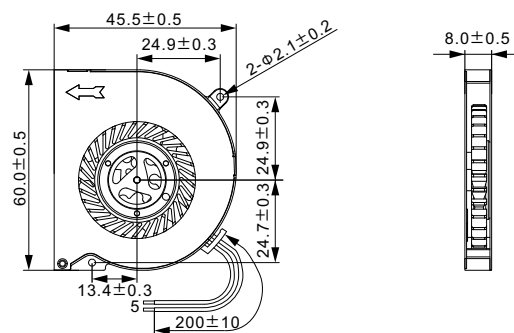
## SPECIFICATIONS

MODEL NO	VOLTAGE	CURRENT	POWER	SPEED	AIR FLOW		STATIC PRESSURE		NOISE	CURVE
	V	A	W	RPM	CMM	CFM	mmH <sub>2</sub> O	INH <sub>2</sub> O	(dBA)	
5008RVL-N (P/M) 5	5	0.20	1.00	2500	0.057	2.00	2.58	0.102	17.0	L
5008RVM-N (P/M) 5	5	0.35	1.75	3500	0.078	2.75	5.05	0.199	25.4	M
5008RVH-N (P/M) 5	5	0.65	3.25	5200	0.115	4.05	12.89	0.507	36.5	H
5008RVL-N (P/M) 1	12	0.12	1.44	2500	0.057	2.00	2.58	0.102	17.0	L
5008RVM-N (P/M) 1	12	0.25	3.00	3500	0.078	2.75	5.05	0.199	25.4	M
5008RVH-N (P/M) 1	12	0.40	4.80	5200	0.115	4.05	12.89	0.507	36.5	H

## PERFORMANCE CURVES



## DIMENSIONS DRAWING



\*Specifications are subject to change without notice



## 5010 Blower Series

Dimensions: 50X50X10 mm

Bearing Type: FDB,Hydraulic,Ball Bearing

Function Type: FG/RD Signal,PWM pulse

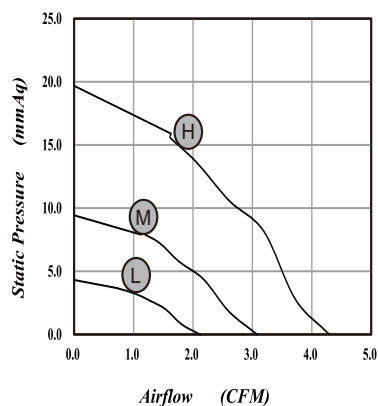
Protection: Auto Restart Protection or General Options



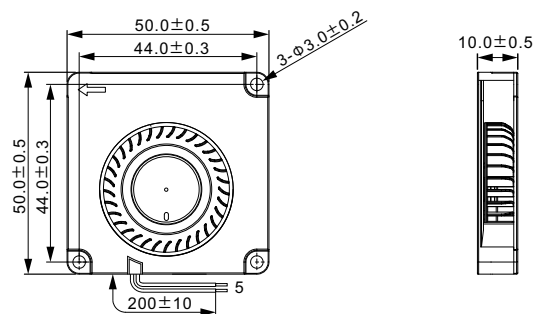
## SPECIFICATIONS

MODEL NO	VOLTAGE	CURRENT	POWER	SPEED	AIR FLOW		STATIC PRESSURE		NOISE	CURVE
	V	A	W	RPM	CMM	CFM	mmH <sub>2</sub> O	INH <sub>2</sub> O	(dBA)	
5010B/RVL-N (P/M) 5	5	0.13	0.65	5000	0.060	2.12	4.31	0.170	28.7	L
5010B/RVM-N (P/M) 5	5	0.33	1.65	7000	0.090	3.08	9.43	0.370	35.0	M
5010B/RVH-N (P/M) 5	5	0.45	2.25	9500	0.120	4.29	19.78	0.780	44.4	H
5010B/RVL-N (P/M) 1	12	0.16	1.92	5000	0.060	2.12	4.31	0.170	28.7	L
5010B/RVH-N (P/M) 1	12	0.25	3.00	7000	0.090	3.08	9.43	0.370	35.0	M
5010B/RVM-N (P/M) 1	12	0.35	4.20	9500	0.120	4.29	19.78	0.780	44.4	H

## PERFORMANCE CURVES



## DIMENSIONS DRAWING



\*Specifications are subject to change without notice

## 5015-1 Blower Series

Dimensions: 51X51X15 mm

Bearing Type: FDB,Hydraulic,Ball Bearing

Function Type: FG/RD Signal,PWM pulse

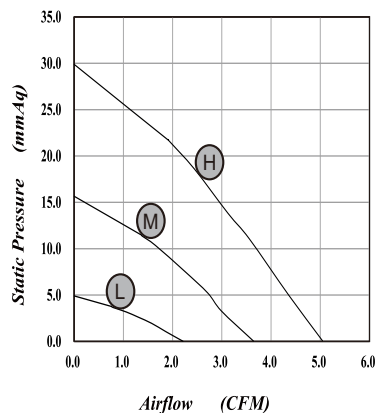
Protection: Auto Restart Protection or General Options



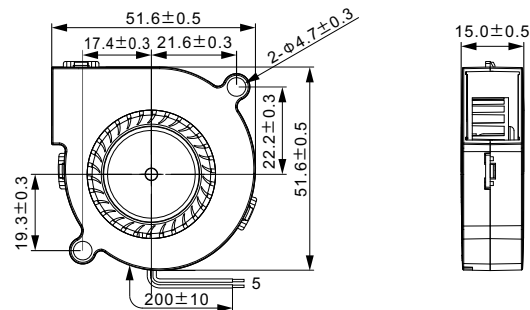
### SPECIFICATIONS

MODEL NO	VOLTAGE	CURRENT	POWER	SPEED	AIR FLOW		STATIC PRESSURE		NOISE	CURVE
	V	A	W	RPM	CMM	CFM	mmH <sub>2</sub> O	INH <sub>2</sub> O	(dBA)	
5015B/RVL-N (P/M) 5	5	0.25	1.25	3500	0.067	2.38	6.67	0.263	28.2	L
5015B/RVM-N (P/M) 5	5	0.45	2.25	5500	0.088	3.11	15.48	0.610	40.9	M
5015B/RVH-N (P/M) 5	5	0.60	3.00	7500	0.143	5.05	29.88	1.177	48.5	H
5015B/RVL-N (P/M) 1	12	0.22	2.64	3500	0.067	2.38	6.67	0.263	28.2	L
5015B/RVM-N (P/M) 1	12	0.32	3.84	5500	0.088	3.11	15.48	0.610	40.9	M
5015B/RVH-N (P/M) 1	12	0.48	5.76	7500	0.143	5.05	29.88	1.177	48.5	H
5015B/RVL-N (P/M) 2	24	0.12	2.88	3500	0.067	2.38	6.67	0.263	28.2	L
5015B/RVM-N (P/M) 2	24	0.18	4.32	5500	0.088	3.11	15.48	0.610	40.9	M
5015B/RVH-N (P/M) 2	24	0.27	6.48	7500	0.143	5.05	29.88	1.177	48.5	H

### PERFORMANCE CURVES



### DIMENSIONS DRAWING



\*Specifications are subject to change without notice

## 5015-2 Blower Series

Dimensions: 51X50X15 mm

Bearing Type: FDB,Hydraulic,Ball Bearing

Function Type: FG/RD Signal,PWM pulse

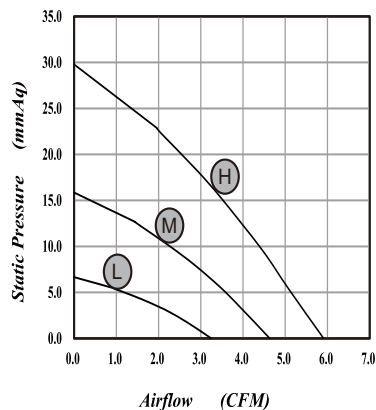
Protection: Auto Restart Protection or General Options



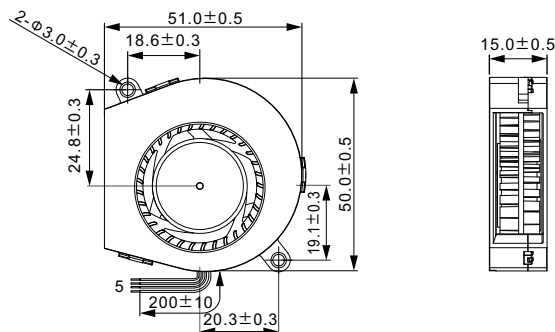
### SPECIFICATIONS

MODEL NO	VOLTAGE	CURRENT	POWER	SPEED	AIR FLOW		STATIC PRESSURE		NOISE	CURVE
	V	A	W	RPM	CMM	CFM	mmH <sub>2</sub> O	INH <sub>2</sub> O	(dBA)	
5015B/RVL-N (P/M) 1	12	0.22	2.64	3500	0.090	3.24	6.66	0.260	25.9	L
5015B/RVM-N (P/M) 1	12	0.32	3.84	5000	0.130	4.63	15.85	0.620	35.5	M
5015B/RVH-N (P/M) 1	12	0.48	5.76	6500	0.170	5.90	29.78	1.170	42.8	H
5015B/RVL-N (P/M) 2	24	0.16	3.84	3500	0.090	3.24	6.66	0.260	25.9	L
5015B/RVM-N (P/M) 2	24	0.25	6.00	5000	0.130	4.63	15.85	0.620	35.5	M
5015B/RVH-N (P/M) 2	24	0.35	8.40	6500	0.170	5.90	19.78	1.170	42.8	H

### PERFORMANCE CURVES



### DIMENSIONS DRAWING



\*Specifications are subject to change without notice

## 5020 Blower Series

Dimensions: 50X50X20 mm

Bearing Type: FDB,Hydraulic,Ball Bearing

Function Type: FG/RD Signal,PWM pulse

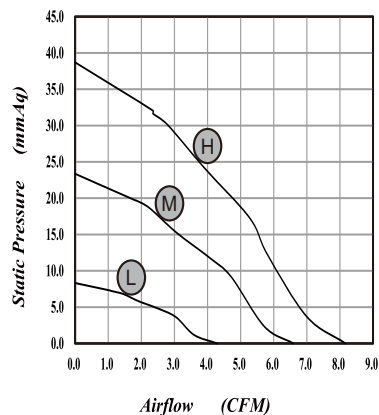
Protection: Auto Restart Protection or General Options



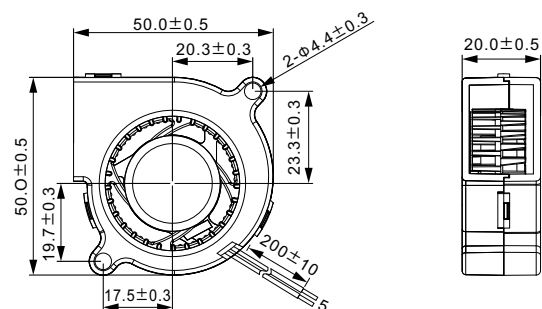
## SPECIFICATIONS

MODEL NO	VOLTAGE	CURRENT	POWER	SPEED	AIR FLOW		STATIC PRESSURE		NOISE	CURVE
	V	A	W	RPM	CMM	CFM	mmH <sub>2</sub> O	INH <sub>2</sub> O	(dBA)	
5020B/RVL-N (P/M) 1	12	0.12	1.44	4500	0.122	4.29	8.31	0.327	29.5	L
5020B/RVM-N (P/M) 1	12	0.26	3.12	6800	0.186	6.59	23.35	0.919	41.3	M
5020B/RVH-N (P/M) 1	12	0.68	8.16	8500	0.231	8.17	38.70	1.524	47.1	H
5020B/RVL-N (P/M) 2	24	0.15	3.60	4500	0.122	4.29	8.31	0.327	29.5	L
5020B/RVM-N (P/M) 2	24	0.20	4.80	6800	0.186	6.59	23.35	0.919	41.3	M
5020B/RVH-N (P/M) 2	24	0.35	8.40	8500	0.231	8.17	38.70	1.524	47.1	H

## PERFORMANCE CURVES



## DIMENSIONS DRAWING



\*Specifications are subject to change without notice

## 6004 Blower Series

Dimensions: 60X60X04 mm

Bearing Type: FDB,Hydraulic

Function Type: FG/RD Signal,PWM pulse

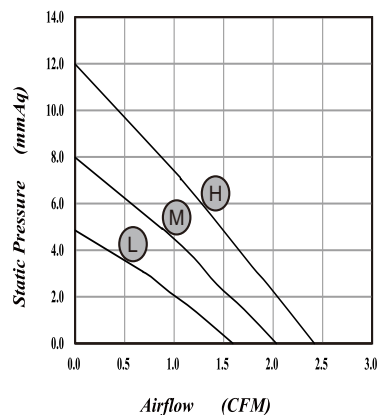
Protection: Auto Restart Protection or General Options



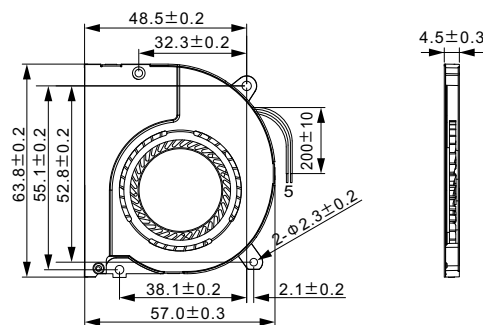
## SPECIFICATIONS

MODEL NO	VOLTAGE	CURRENT	POWER	SPEED	AIR FLOW		STATIC PRESSURE		NOISE	CURVE
	V	A	W	RPM	CMM	CFM	mmH <sub>2</sub> O	INH <sub>2</sub> O	(dBA)	
6004RVL-N (P/M) 5	5	0.20	1.00	4000	0.045	1.59	4.85	0.191	22.5	L
6004RVM-N (P/M) 5	5	0.30	1.50	5000	0.057	2.03	7.98	0.314	29.2	M
6004RVH-N (P/M) 5	5	0.50	2.50	5800	0.068	2.42	11.98	0.472	34.4	H
6004RVL-N (P/M) 1	12	0.10	1.00	4000	0.045	1.59	4.85	0.191	22.5	L
6004RVM-N (P/M) 1	12	0.15	1.50	5000	0.057	2.03	7.98	0.314	29.2	M
6004RVH-N (P/M) 1	12	0.25	2.50	5800	0.068	2.42	11.98	0.472	34.4	H

## PERFORMANCE CURVES



## DIMENSIONS DRAWING



\*Specifications are subject to change without notice

## 6008 Blower Series

Dimensions: 70X68.2X08 mm

Bearing Type: FDB,Hydraulic

Function Type: FG/RD Signal,PWM pulse

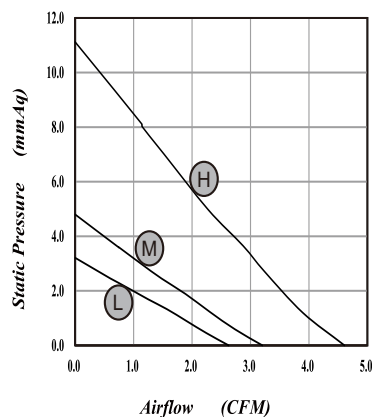
Protection: Auto Restart Protection or General Options



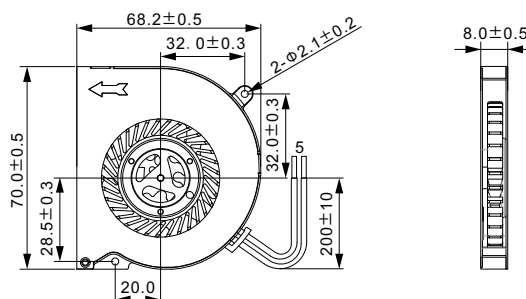
## SPECIFICATIONS

MODEL NO	VOLTAGE	CURRENT	POWER	SPEED	AIR FLOW		STATIC PRESSURE		NOISE	CURVE
	V	A	W	RPM	CMM	CFM	mmH <sub>2</sub> O	INH <sub>2</sub> O	(dBA)	
6008RVL-N (P/M) 5	5	0.20	1.00	2000	0.075	2.63	3.21	0.126	14.8	L
6008RVM-N (P/M) 5	5	0.35	1.75	2500	0.091	3.20	4.80	0.189	18.4	M
6008RVH-N (P/M) 5	5	0.65	3.25	3500	0.131	4.61	11.12	0.438	28.6	H
6008RVL-N (P/M) 1	12	0.12	1.44	2000	0.075	2.63	3.21	0.126	14.8	L
6008RVM-N (P/M) 1	12	0.25	3.00	2500	0.091	3.20	4.80	0.189	18.4	M
6008RVH-N (P/M) 1	12	0.40	4.80	3500	0.131	4.61	11.12	0.438	28.6	H

## PERFORMANCE CURVES



## DIMENSIONS DRAWING



\*Specifications are subject to change without notice

## 6015-1 Blower Series

Dimensions: 60X60X15 mm

Bearing Type: Hydraulic, Ball Bearing

Function Type: FG/RD Signal, PWM pulse

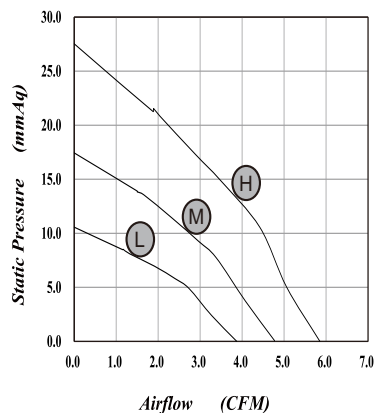
Protection: Auto Restart Protection or General Options



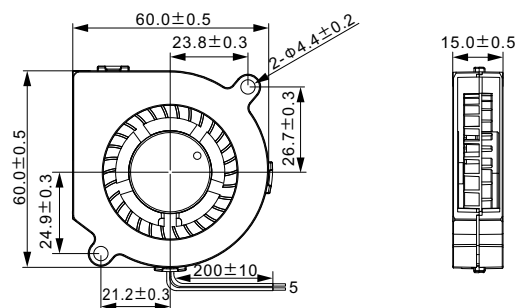
### SPECIFICATIONS

MODEL NO	VOLTAGE	CURRENT	POWER	SPEED	AIR FLOW		STATIC PRESSURE		NOISE	CURVE
	V	A	W	RPM	CMM	CFM	mmH <sub>2</sub> O	INH <sub>2</sub> O	(dBA)	
6015B/RVL-N (P/M) 5	5	0.30	1.50	4000	0.109	3.87	10.57	0.416	43.3	L
6015B/RVM-N (P/M) 5	5	0.40	2.00	5000	0.135	4.78	17.44	0.687	50.0	M
6015B/RVH-N (P/M) 5	5	0.50	2.50	6000	0.166	5.85	27.53	1.084	54.0	H
6015B/RVL-N (P/M) 1	12	0.22	2.64	4000	0.109	3.87	10.57	0.416	43.3	L
6015B/RVM-N (P/M) 1	12	0.33	3.96	5000	0.135	4.78	17.44	0.687	50.0	M
6015B/RVH-N (P/M) 1	12	0.45	5.40	6000	0.166	5.85	27.53	1.084	54.0	H

### PERFORMANCE CURVES



### DIMENSIONS DRAWING



\*Specifications are subject to change without notice

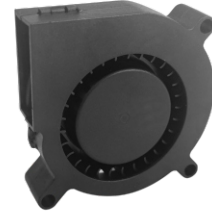
## 6015-2 Blower Series

Dimensions: 60X60X15 mm

Bearing Type: Hydraulic, Ball Bearing

Function Type: FG/RD Signal, PWM pulse

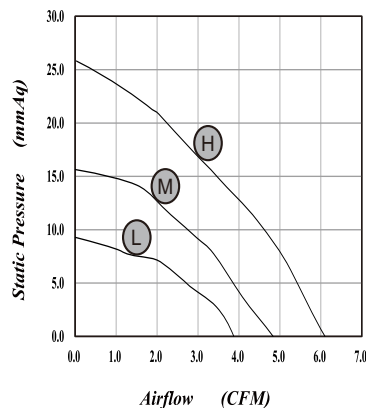
Protection: Auto Restart Protection or General Options



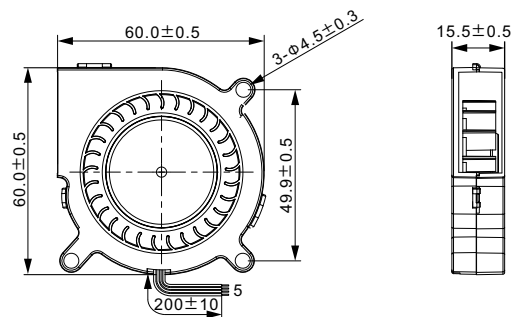
### SPECIFICATIONS

MODEL NO	VOLTAGE	CURRENT	POWER	SPEED	AIR FLOW		STATIC PRESSURE		NOISE	CURVE
	V	A	W	RPM	CMM	CFM	mmH <sub>2</sub> O	INH <sub>2</sub> O	(dBA)	
6015B/RVL-N (P/M) 5	5	0.30	1.50	4000	0.110	3.91	8.96	0.352	38.0	L
6015B/RVM-N (P/M) 5	5	0.40	2.00	5000	0.141	4.98	15.52	0.611	44.8	M
6015B/RVH-N (P/M) 5	5	0.50	2.50	6000	0.171	6.05	25.79	1.015	49.5	H
6015B/RVL-N (P/M) 1	12	0.22	2.64	4000	0.110	3.91	8.96	0.352	38.0	L
6015B/RVM-N (P/M) 1	12	0.35	3.96	5000	0.141	4.98	15.52	0.611	44.8	M
6015B/RVH-N (P/M) 1	12	0.45	5.40	6000	0.171	6.05	25.79	1.015	49.5	H

### PERFORMANCE CURVES



### DIMENSIONS DRAWING



\*Specifications are subject to change without notice



## 6025 Blower Series

Dimensions: 60X60X25 mm

Bearing Type: Hydraulic, Ball Bearing

Function Type: FG/RD Signal, PWM pulse

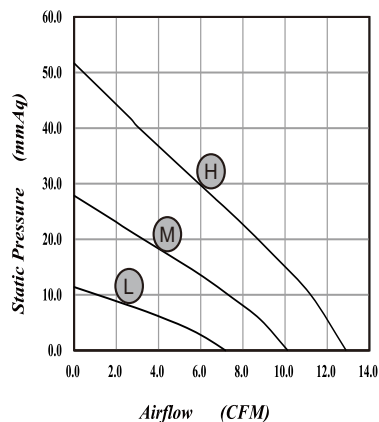
Protection: Auto Restart Protection or General Options



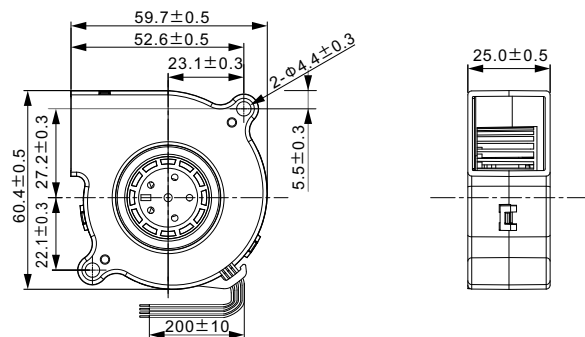
## SPECIFICATIONS

MODEL NO	VOLTAGE	CURRENT	POWER	SPEED	AIR FLOW		STATIC PRESSURE		NOISE	CURVE
	V	A	W	RPM	CMM	CFM	mmH <sub>2</sub> O	INH <sub>2</sub> O	(dBA)	
6025B/RVL-N (P/M) 1	12	0.22	2.64	4000	0.200	7.18	11.40	0.450	38.0	L
6025B/RVM-N (P/M) 1	12	0.35	4.20	5500	0.290	10.11	27.85	1.100	46.3	M
6025B/RVH-N (P/M) 1	12	0.55	6.60	7000	0.360	12.88	51.66	2.040	52.0	H
6025B/RVL-N (P/M) 2	24	0.20	4.80	4000	0.200	7.18	11.40	0.450	38.0	L
6025B/RVM-N (P/M) 2	24	0.30	7.20	5500	0.290	10.11	27.85	1.100	46.3	M
6025B/RVH-N (P/M) 2	24	0.50	12.00	7000	0.360	12.88	51.66	2.040	52.0	H

## PERFORMANCE CURVES



## DIMENSIONS DRAWING



\*Specifications are subject to change without notice

## 6028 Blower Series

Dimensions: 60X60X28 mm

Bearing Type: FDB,Hydraulic,Ball Bearing

Function Type: FG/RD Signal,PWM pulse

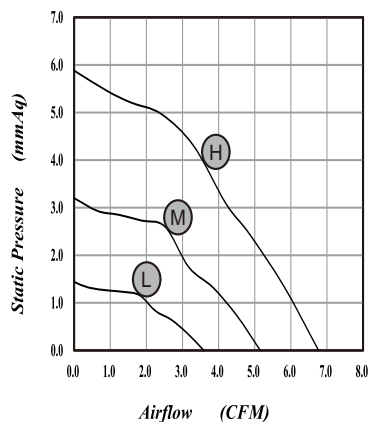
Protection: Auto Restart Protection or General Options



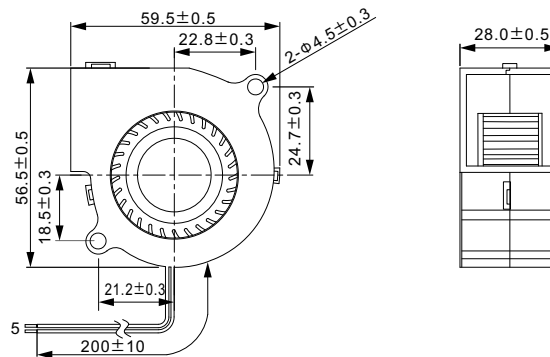
## SPECIFICATIONS

MODEL NO	VOLTAGE	CURRENT	POWER	SPEED	AIR FLOW		STATIC PRESSURE		NOISE	CURVE
	V	A	W	RPM	CMM	CFM	mmH <sub>2</sub> O	INH <sub>2</sub> O	(dBA)	
6028B/RVL-N (P/M) 1	12	0.30	3.60	2500	0.102	3.59	1.44	0.057	22.0	L
6028B/RVM-N (P/M) 1	12	0.40	4.80	3500	0.146	5.15	3.20	0.126	30.4	M
6028B/RVH-N (P/M) 1	12	0.50	6.00	4500	0.167	6.77	5.88	0.231	41.1	H
6028B/RVL-N (P/M) 2	24	0.15	3.60	2500	0.102	3.59	1.44	0.057	22.0	L
6028B/RVM-N (P/M) 2	24	0.35	6.40	3500	0.146	5.15	3.20	0.126	30.4	M
6028B/RVH-N (P/M) 2	24	0.45	10.80	4500	0.167	6.77	5.88	0.231	41.1	H

## PERFORMANCE CURVES



## DIMENSIONS DRAWING



\*Specifications are subject to change without notice

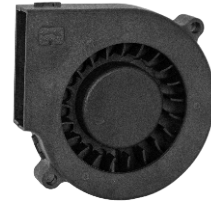
## 7015 Blower Series

Dimensions: 77X75X15.5 mm

Bearing Type: FDB,Hydraulic,Ball Bearing

Function Type: FG/RD Signal,PWM pulse

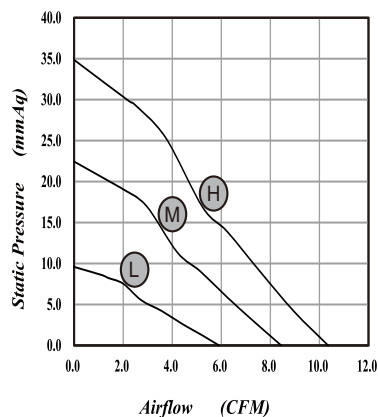
Protection: Auto Restart Protection or General Options



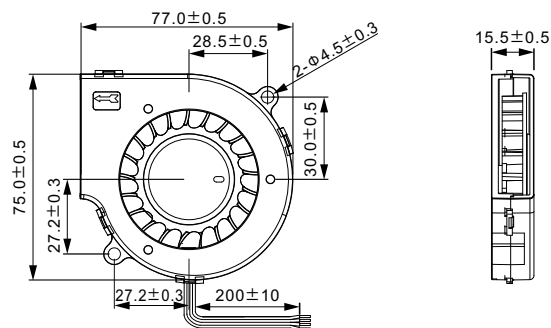
## SPECIFICATIONS

MODEL NO	VOLTAGE	CURRENT	POWER	SPEED	AIR FLOW		STATIC PRESSURE		NOISE	CURVE
	V	A	W	RPM	CMM	CFM	mmH <sub>2</sub> O	INH <sub>2</sub> O	(dBA)	
7015B/RVL-N (P/M) 1	12	0.24	2.88	2800	0.167	5.91	9.58	0.377	33.9	L
7015B/RVM-N (P/M) 1	12	0.35	4.20	4000	0.239	8.44	22.44	0.883	44.6	M
7015B/RVH-N (P/M) 1	12	0.55	6.60	5000	0.293	10.36	34.85	1.372	52.2	H
7015B/RVL-N (P/M) 2	24	0.12	2.88	2600	0.167	5.91	9.58	0.377	33.9	L
7015B/RVM-N (P/M) 2	24	0.22	5.28	4000	0.239	8.44	22.44	0.883	44.6	M
7015B/RVH-N (P/M) 2	24	0.40	9.60	5000	0.293	10.36	34.85	1.372	52.2	H

## PERFORMANCE CURVES



## DIMENSIONS DRAWING



\*Specifications are subject to change without notice

## 7525 Blower Series

Dimensions: 75X74.5X25 mm

Bearing Type: FDB,Hydraulic,Ball Bearing

Function Type: FG/RD Signal,PWM pulse

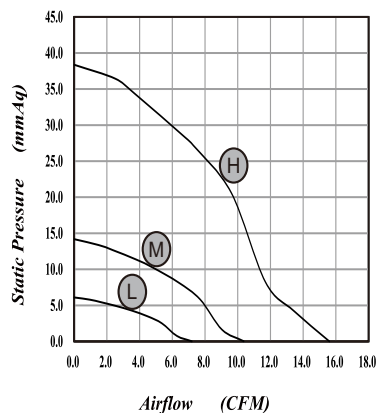
Protection: Auto Restart Protection or General Options



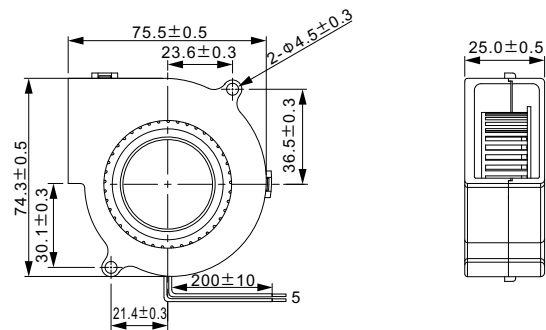
## SPECIFICATIONS

MODEL NO	VOLTAGE	CURRENT	POWER	SPEED	AIR FLOW		STATIC PRESSURE		NOISE	CURVE
	V	A	W	RPM	CMM	CFM	mmH <sub>2</sub> O	INH <sub>2</sub> O	(dBA)	
7525B/RVL-N (P/M) 1	12	0.30	3.60	2500	0.204	7.21	6.10	0.240	31.0	L
7525B/RVM-N (P/M) 1	12	0.40	4.80	3700	0.294	10.38	14.18	0.558	42.8	M
7525B/RVH-N (P/M) 1	12	0.80	9.60	5500	0.442	15.61	38.37	1.511	51.3	H
7525B/RVL-N (P/M) 2	24	0.15	3.60	2500	0.204	7.21	6.10	0.240	31.0	L
7525B/RVM-N (P/M) 2	24	0.20	4.80	3700	0.294	10.38	14.18	0.558	42.8	M
7525B/RVH-N (P/M) 2	24	0.40	9.60	5500	0.442	15.61	38.37	1.511	51.3	H

## PERFORMANCE CURVES



## DIMENSIONS DRAWING



\*Specifications are subject to change without notice

## 7530 Blower Series

Dimensions: 75X75X30 mm

Bearing Type: FDB,Hydraulic,Ball Bearing

Function Type: FG/RD Signal,PWM pulse

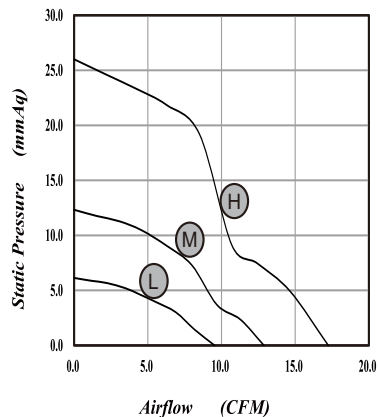
Protection: Auto Restart Protection or General Options



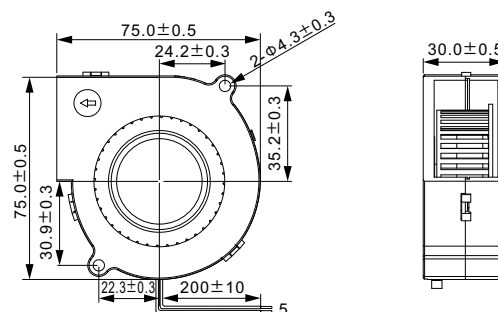
### SPECIFICATIONS

MODEL NO	VOLTAGE	CURRENT	POWER	SPEED	AIR FLOW		STATIC PRESSURE		NOISE	CURVE
	V	A	W	RPM	CMM	CFM	mmH <sub>2</sub> O	INH <sub>2</sub> O	(dBA)	
7530B/RVL-N (P/M) 1	12	0.25	3.00	3000	0.270	9.53	6.13	0.241	35.8	L
7530B/RVM-N (P/M) 1	12	0.40	4.80	4000	0.365	12.88	12.32	0.349	44.5	M
7530B/RVH-N (P/M) 1	12	0.55	6.60	5500	0.489	17.25	26.00	1.024	51.3	H
7530B/RVL-N (P/M) 2	24	0.15	3.60	3000	0.270	9.53	6.13	0.241	35.8	L
7530B/RVM-N (P/M) 2	24	0.25	6.00	4000	0.365	12.88	12.32	0.349	44.5	M
7530B/RVH-N (P/M) 2	24	0.35	8.40	5500	0.489	17.25	26.00	1.024	51.3	H

### PERFORMANCE CURVES



### DIMENSIONS DRAWING



\*Specifications are subject to change without notice

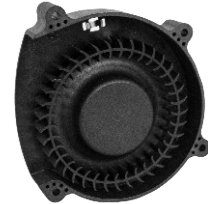
## 8015 Blower Series

Dimensions: 79.5X77X15 mm

Bearing Type: Ball Bearing

Function Type: FG/RD Signal, PWM pulse

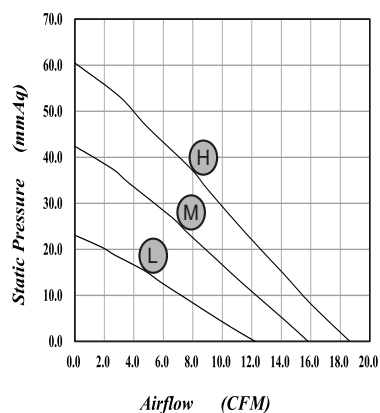
Protection: Auto Restart Protection or General Options



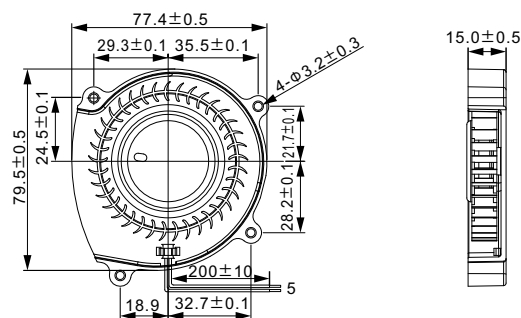
## SPECIFICATIONS

MODEL NO	VOLTAGE	CURRENT	POWER	SPEED	AIR FLOW		STATIC PRESSURE		NOISE	CURVE
	V	A	W	RPM	CMM	CFM	mmH <sub>2</sub> O	INH <sub>2</sub> O	(dBA)	
8015BVL-N (P/M) 1	12	0.60	7.20	4400	0.350	12.23	23.08	0.910	50.4	L
8015BVM-N (P/M) 1	12	1.00	12.00	5500	0.450	15.79	42.40	1.670	56.7	M
8015BVH-N (P/M) 1	12	1.50	18.00	6600	0.530	18.63	60.50	2.380	60.9	H

## PERFORMANCE CURVES



## DIMENSIONS DRAWING



\*Specifications are subject to change without notice

## 8018 Blower Series

Dimensions: 80X80X17.5 mm

Bearing Type: Hydraulic, Ball Bearing

Function Type: FG/RD Signal, PWM pulse

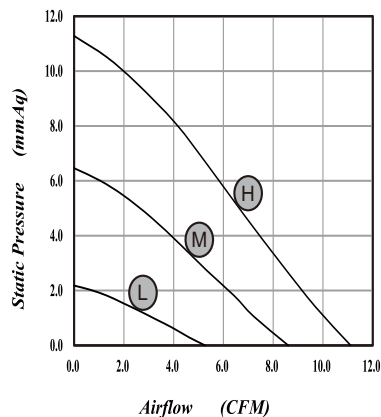
Protection: Auto Restart Protection or General Options



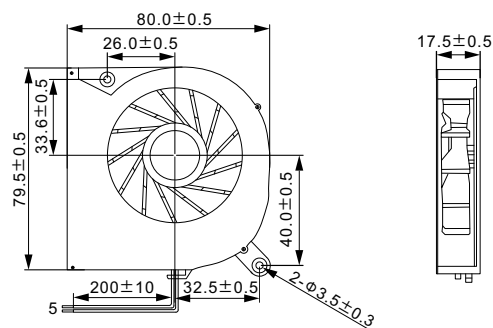
## SPECIFICATIONS

MODEL NO	VOLTAGE	CURRENT	POWER	SPEED	AIR FLOW		STATIC PRESSURE		NOISE	CURVE
	V	A	W	RPM	CMM	CFM	mmH <sub>2</sub> O	INH <sub>2</sub> O	(dBA)	
8020B/RVL-N (P/M) 1	12	0.30	3.60	1500	0.149	5.27	2.18	0.086	17.1	L
8020B/RVM-N (P/M) 1	12	0.40	4.80	2500	0.244	8.61	6.46	0.254	28.3	M
8020B/RVH-N (P/M) 1	12	0.50	6.00	3400	0.315	11.12	11.28	0.444	36.4	H
8020B/RVL-N (P/M) 2	24	0.15	3.60	1500	0.149	5.27	2.18	0.086	17.1	L
8020B/RVM-N (P/M) 2	24	0.20	4.80	2500	0.244	8.61	6.46	0.254	28.3	M
8020B/RVH-N (P/M) 2	24	0.25	6.00	3400	0.315	11.12	11.28	0.444	36.4	H

## PERFORMANCE CURVES



## DIMENSIONS DRAWING



\*Specifications are subject to change without notice

## 9733-1 Blower Series

Dimensions: 97X94X33 mm

Bearing Type: Ball Bearing

Function Type: FG/RD Signal, PWM pulse

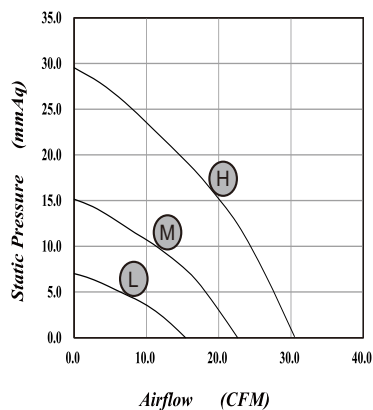
Protection: Auto Restart Protection or General Options



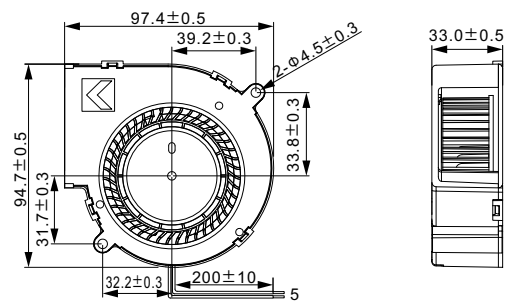
### SPECIFICATIONS

MODEL NO	VOLTAGE	CURRENT	POWER	SPEED	AIR FLOW		STATIC PRESSURE		NOISE	CURVE
	V	A	W	RPM	CMM	CFM	mmH <sub>2</sub> O	INH <sub>2</sub> O	(dBA)	
9733BVL-N (P/M) 1	12	0.25	3.00	2000	0.607	15.41	7.01	0.276	40.4	L
9733BVM-N (P/M) 1	12	0.40	4.80	3000	0.641	22.62	15.15	0.596	50.7	M
9733BVH-N (P/M) 1	12	0.56	6.72	4000	0.863	30.48	29.53	1.162	56.9	H
9733BVL-N (P/M) 2	24	0.15	3.60	2000	0.607	15.41	7.01	0.276	40.4	L
9733BVM-N (P/M) 2	24	0.25	6.00	3000	0.641	22.62	15.15	0.596	50.7	M
9733BVH-N (P/M) 2	24	0.35	8.40	4000	0.863	30.48	29.53	1.162	56.9	H
9733BVL-N (P/M) 4	48	0.10	4.80	2000	0.607	15.41	7.01	0.276	40.4	L
9733BVM-N (P/M) 4	48	0.15	7.20	3000	0.641	22.62	15.15	0.596	50.7	M
9733BVH-N (P/M) 4	48	0.25	12.00	4000	0.863	30.48	29.53	1.162	56.9	H

### PERFORMANCE CURVES



### DIMENSIONS DRAWING



\*Specifications are subject to change without notice



## 9733-2 Blower Series

Dimensions: 97X94X33 mm

Bearing Type: Ball Bearing

Function Type: FG/RD Signal, PWM pulse

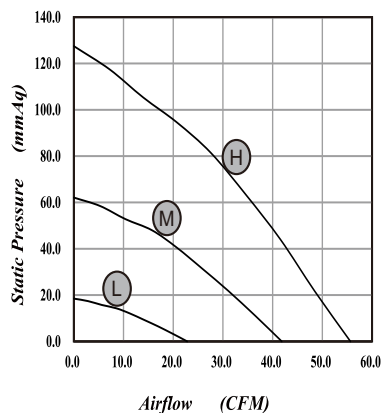
Protection: Auto Restart Protection or General Options



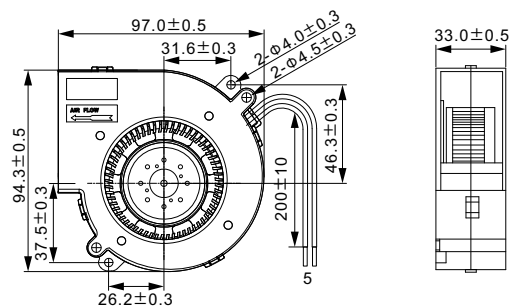
### SPECIFICATIONS

MODEL NO	VOLTAGE	CURRENT	POWER	SPEED	AIR FLOW		STATIC PRESSURE		NOISE	CURVE
	V	A	W	RPM	CMM	CFM	mmH <sub>2</sub> O	INH <sub>2</sub> O	(dBA)	
9733BVH-N (P/M) 1	12	0.56	6.72	3000	0.647	22.83	18.48	0.727	47.6	H
9733BVU-N (P/M) 1	12	2.00	24.00	5500	1.186	41.85	62.10	2.445	60.8	U
9733BVE-N (P/M) 1	12	5.00	60.00	7200	1.576	55.65	127.50	5.020	66.6	E
9733BVH-N (P/M) 2	24	0.40	9.60	3000	0.647	22.83	18.48	0.727	47.6	H
9733BVU-N (P/M) 2	24	1.00	24.00	5500	1.186	41.85	62.10	2.445	60.8	U
9733BVE-N (P/M) 2	24	2.50	60.00	7200	1.576	55.65	127.50	5.020	66.6	E
9733BVH-N (P/M) 4	48	0.25	12.00	3000	0.647	22.83	18.48	0.727	47.6	H
9733BVU-N (P/M) 4	48	0.60	28.80	5500	1.186	41.85	62.10	2.445	60.8	U
9733BVE-N (P/M) 4	48	1.50	72.00	7200	1.576	55.65	127.50	5.020	66.6	E

### PERFORMANCE CURVES



### DIMENSIONS DRAWING



\*Specifications are subject to change without notice

## 10025 Centrifugal Series

Dimensions:  $\Phi 100 \times 26$  mm

Bearing Type: Ball Bearing

Function Type: FG/RD Signal, PWM pulse

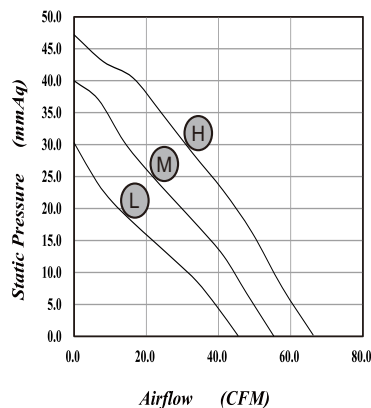
Protection: Auto Restart Protection or General Options



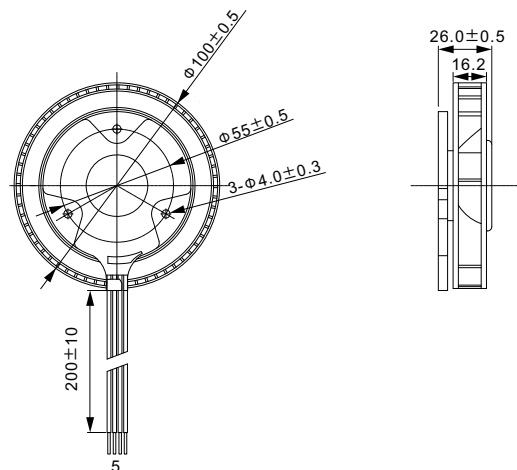
### SPECIFICATIONS

MODEL NO	VOLTAGE	CURRENT	POWER	SPEED	AIR FLOW		STATIC PRESSURE		NOISE	CURVE
	V	A	W	RPM	CMM	CFM	mmH <sub>2</sub> O	INH <sub>2</sub> O	(dBA)	
10025BVL-N (P/M) 1	12	0.70	8.40	4500	1.285	45.41	30.27	1.191	57.5	L
10025BVM-N (P/M) 1	12	0.90	10.80	5500	1.565	55.30	39.98	1.574	61.2	M
10025BVH-N (P/M) 1	12	1.50	18.00	6400	1.875	66.23	47.17	1.857	64.8	H
10025BVL-N (P/M) 2	24	0.18	4.32	4500	1.285	45.41	30.27	1.191	57.5	L
10025BVM-N (P/M) 2	24	0.35	8.40	5500	1.565	55.30	39.98	1.574	61.2	M
10025BVH-N (P/M) 2	24	0.80	19.20	6400	1.875	66.23	47.17	1.857	64.8	H

### PERFORMANCE CURVES



### DIMENSIONS DRAWING



\*Specifications are subject to change without notice

## 11025 Centrifugal Series

Dimensions: 110X110X26 mm

Bearing Type: Ball Bearing

Function Type: FG/RD Signal, PWM pulse

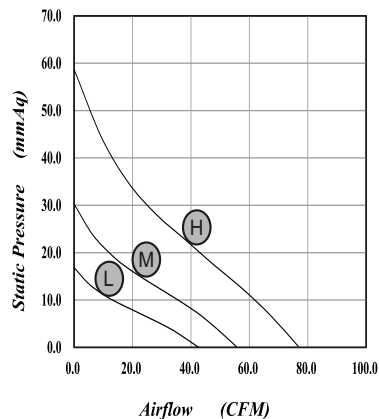
Protection: Auto Restart Protection or General Options



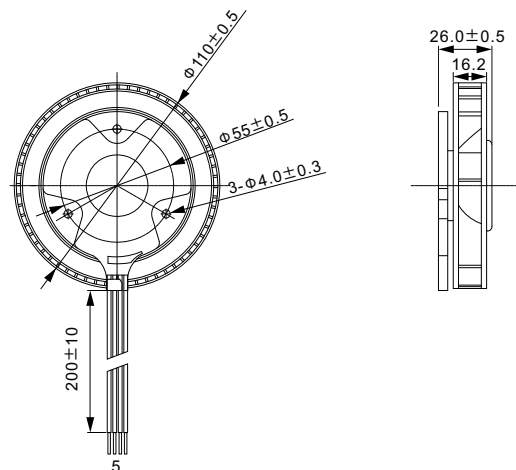
### SPECIFICATIONS

MODEL NO	VOLTAGE	CURRENT	POWER	SPEED	AIR FLOW		STATIC PRESSURE		NOISE	CURVE
	V	A	W	RPM	CMM	CFM	mmH <sub>2</sub> O	INH <sub>2</sub> O	(dBA)	
11025BVL-N (P/M) 1	12	0.50	6.00	3000	1.207	42.63	16.83	0.662	50.5	L
11025BVM-N (P/M) 1	12	1.00	12.00	4000	1.572	55.54	30.25	1.190	57.5	M
11025BVH-N (P/M) 1	12	2.00	24.00	5500	2.173	76.77	58.65	2.309	65.0	H
11025BVL-N (P/M) 2	24	0.25	6.00	3000	1.207	42.63	16.83	0.662	50.5	L
11025BVM-N (P/M) 2	24	0.50	12.00	4000	1.572	55.54	30.25	1.190	57.5	M
11025BVH-N (P/M) 2	24	1.00	24.00	5500	2.173	76.77	58.65	2.309	65.0	H

### PERFORMANCE CURVES



### DIMENSIONS DRAWING



\*Specifications are subject to change without notice

## 12032 Blower Series

Dimensions: 120X120X32 mm

Bearing Type: Ball Bearing

Function Type: FG/RD Signal, PWM pulse

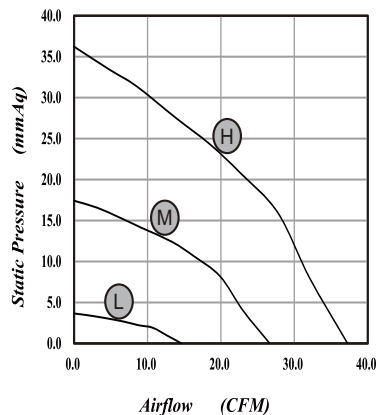
Protection: Auto Restart Protection or General Options



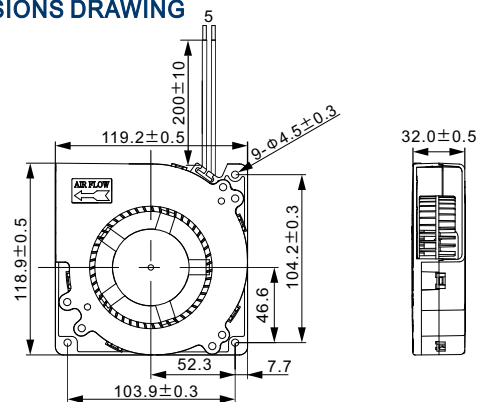
### SPECIFICATIONS

MODEL NO	VOLTAGE	CURRENT	POWER	SPEED	AIR FLOW		STATIC PRESSURE		NOISE	CURVE
	V	A	W	RPM	CMM	CFM	mmH <sub>2</sub> O	INH <sub>2</sub> O	(dBA)	
12032BVL-N (P/M) 1	12	0.09	1.08	1500	0.414	14.62	3.65	0.144	37.0	L
12032BVM-N (P/M) 1	12	0.45	5.40	2500	0.754	26.60	17.41	0.685	49.9	M
12032BVH-N (P/M) 1	12	1.90	22.80	3500	1.055	37.24	36.22	1.466	56.6	H
12032BVL-N (P/M) 2	24	0.25	6.00	1500	0.414	14.62	3.65	0.144	37.0	L
12032BVM-N (P/M) 2	24	0.60	14.40	2500	0.754	26.60	17.41	0.685	49.9	M
12032BVH-N (P/M) 2	24	1.00	24.00	3500	1.055	37.24	36.22	1.466	56.6	H
12032BVL-N (P/M) 4	48	0.10	4.80	1500	0.414	14.62	3.65	0.144	37.0	L
12032BVM-N (P/M) 4	48	0.30	14.40	2500	0.754	26.60	17.41	0.685	49.9	M
12032BVH-N (P/M) 4	48	0.60	28.80	3500	1.055	37.24	36.22	1.466	56.6	H

### PERFORMANCE CURVES



### DIMENSIONS DRAWING



\*Specifications are subject to change without notice

## 133 Centrifugal Series

Dimensions:  $\Phi 133 \times 69$  mm

Bearing Type: Ball Bearing

Function Type: FG/RD Signal, PWM pulse

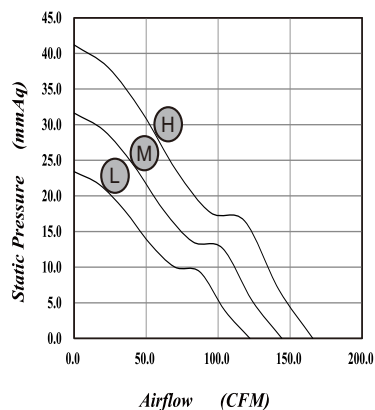
Protection: Auto Restart Protection or General Options



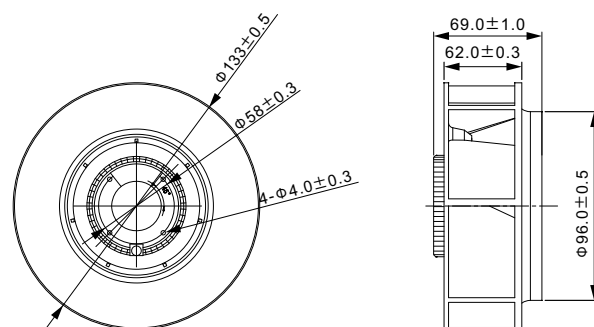
### SPECIFICATIONS

MODEL NO	VOLTAGE	CURRENT	POWER	SPEED	AIR FLOW		STATIC PRESSURE		NOISE	CURVE
	V	A	W	RPM	CMM	CFM	mmH <sub>2</sub> O	INH <sub>2</sub> O	(dBA)	
133BVL-N (P/M) 2	24	1.00	24.00	3000	3.457	122.10	23.40	0.921	57.0	L
133BVM-N (P/M) 2	24	1.80	43.20	3500	4.086	144.32	31.62	1.244	60.5	M
133BVH-N (P/M) 2	24	3.00	72.00	4000	4.695	165.81	41.18	1.621	63.4	H
133BVL-N (P/M) 4	48	1.50	72.00	3000	3.457	122.10	23.40	0.921	57.0	L
133BVM-N (P/M) 4	48	2.00	96.00	3500	4.086	144.32	31.62	1.244	60.5	M
133BVH-N (P/M) 4	48	2.50	120.00	4000	4.695	165.81	41.18	1.621	63.4	H

### PERFORMANCE CURVES



### DIMENSIONS DRAWING



\*Specifications are subject to change without notice

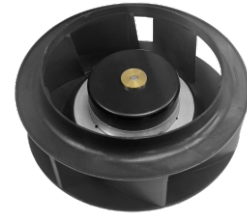
## 175 Centrifugal Series

Dimensions:  $\Phi 175 \times 69$  mm

Bearing Type: Ball Bearing

Function Type: FG/RD Signal, PWM pulse

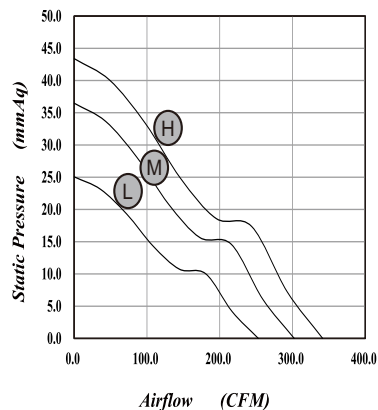
Protection: Auto Restart Protection or General Options



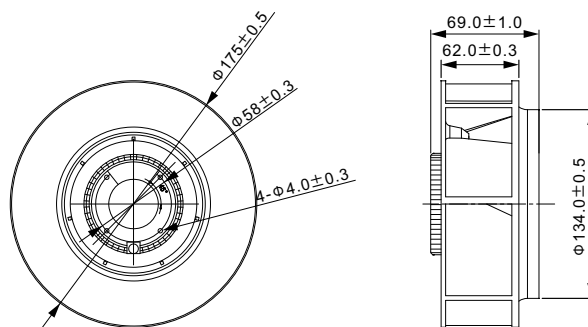
### SPECIFICATIONS

MODEL NO	VOLTAGE	CURRENT	POWER	SPEED	AIR FLOW		STATIC PRESSURE		NOISE	CURVE
	V	A	W	RPM	CMM	CFM	mmH <sub>2</sub> O	INH <sub>2</sub> O	(dBA)	
175BVL-N (P/M) 2	24	1.00	24.00	2500	7.167	253.12	25.06	0.986	64.7	L
175BVM-N (P/M) 2	24	2.00	48.00	3000	8.563	302.40	36.48	1.436	68.7	M
175BVH-N (P/M) 2	24	3.00	72.00	3500	9.671	341.54	43.40	1.708	72.0	H
175BVL-N (P/M) 4	48	1.00	48.00	2500	7.167	253.12	25.06	0.986	64.7	L
175BVM-N (P/M) 4	48	2.00	96.00	3000	8.563	302.40	36.48	1.436	68.7	M
175BVH-N (P/M) 4	48	2.50	120.00	3500	9.671	341.54	43.40	1.708	72.0	H

### PERFORMANCE CURVES



### DIMENSIONS DRAWING



\*Specifications are subject to change without notice

## 190 Centrifugal Series

Dimensions:  $\Phi 189 \times 69$  mm

Bearing Type: Ball Bearing

Function Type: FG/RD Signal, PWM pulse

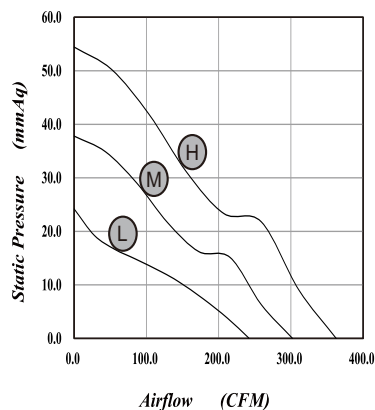
Protection: Auto Restart Protection or General Options



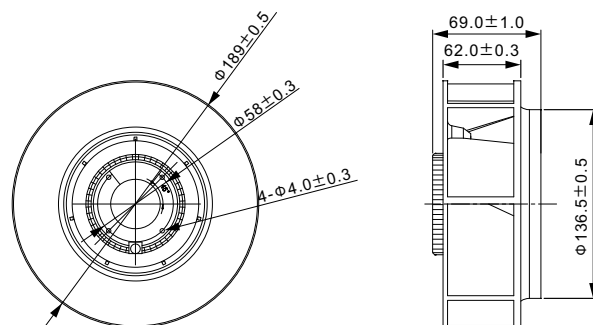
### SPECIFICATIONS

MODEL NO	VOLTAGE	CURRENT	POWER	SPEED	AIR FLOW		STATIC PRESSURE		NOISE	CURVE
	V	A	W	RPM	CMM	CFM	mmH <sub>2</sub> O	INH <sub>2</sub> O	(dBA)	
190BVL-N (P/M) 2	24	0.90	21.60	2000	1.207	42.63	16.83	0.662	50.5	L
190BVM-N (P/M) 2	24	1.80	43.20	2500	1.572	55.54	30.25	1.190	57.5	M
190BVH-N (P/M) 2	24	3.00	72.00	3000	2.173	76.77	58.65	2.309	65.0	H
190BVL-N (P/M) 4	48	1.00	48.00	2000	1.207	42.63	16.83	0.662	50.5	L
190BVM-N (P/M) 4	48	2.00	96.00	2500	1.572	55.54	30.25	1.190	57.5	M
190BVH-N (P/M) 4	48	2.50	120.00	3000	2.173	76.77	58.65	2.309	65.0	H

### PERFORMANCE CURVES



### DIMENSIONS DRAWING



\*Specifications are subject to change without notice

## 225 Centrifugal Series

Dimensions:  $\Phi 225 \times 99$  mm

Bearing Type: Ball Bearing

Function Type: FG/RD Signal, PWM pulse

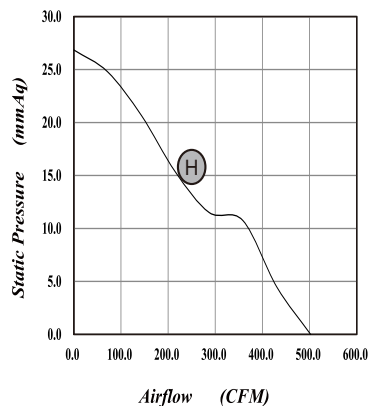
Protection: Auto Restart Protection or General Options



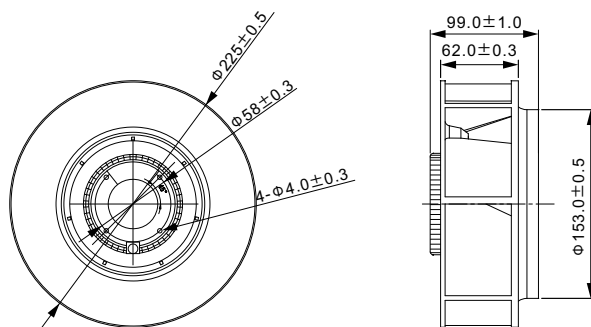
### SPECIFICATIONS

MODEL NO	VOLTAGE	CURRENT	POWER	SPEED	AIR FLOW		STATIC PRESSURE		NOISE	CURVE
	V	A	W	RPM	CMM	CFM	mmH <sub>2</sub> O	INH <sub>2</sub> O	(dBA)	
225BVH-N (P/M) 2	24	4.80	115.20	2000	14.223	502.30	26.85	1.057	58.0	H
225BVH-N (P/M) 4	48	2.50	120.00	2000	14.223	502.30	26.85	1.057	58.0	H

### PERFORMANCE CURVES



### DIMENSIONS DRAWING



\*Specifications are subject to change without notice



## 250 Centrifugal Series

Dimensions:  $\Phi 250 \times 92.8$  mm

Bearing Type: Ball Bearing

Function Type: FG/RD Signal, PWM pulse

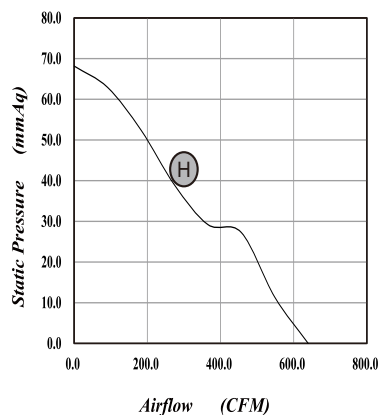
Protection: Auto Restart Protection or General Options



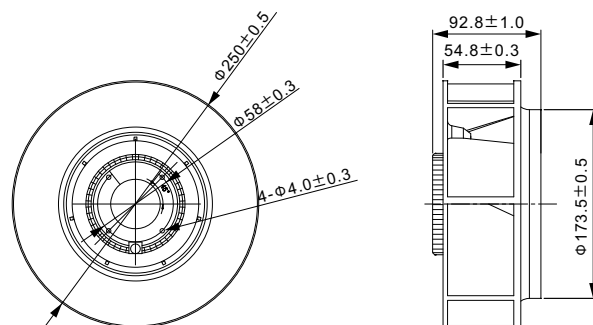
## SPECIFICATIONS

MODEL NO	VOLTAGE	CURRENT	POWER	SPEED	AIR FLOW		STATIC PRESSURE		NOISE	CURVE
	V	A	W	RPM	CMM	CFM	mmH <sub>2</sub> O	INH <sub>2</sub> O	(dBA)	
250BVH-N (P/M) 2	24	8.00	192.00	2500	18.115	639.73	68.16	2.683	73.5	H
250BVH-N (P/M) 4	48	4.00	192.00	2500	18.115	639.73	68.16	2.683	73.5	H

## PERFORMANCE CURVES



## DIMENSIONS DRAWING



\*Specifications are subject to change without notice