

3007 Triangle Fan Series

Dimensions: 30X30X07 mm

Bearing Type: FDB,Hydraulic

Function Type: FG/RD Signal,PWM pulse

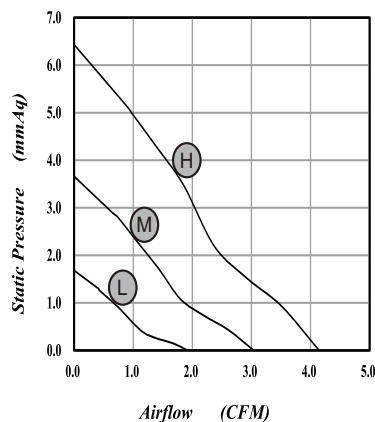
Protection: Auto Restart Protection or General Options



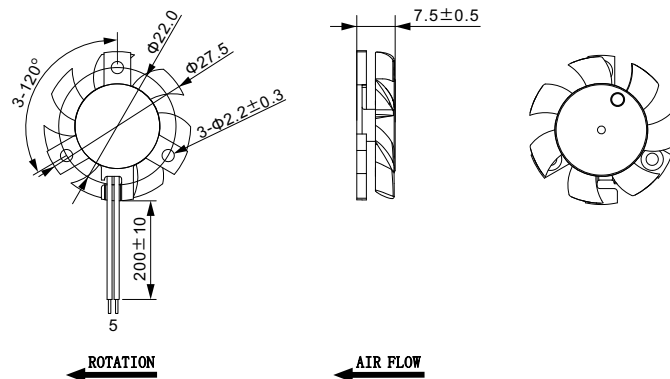
SPECIFICATIONS

MODEL NO	VOLTAGE	CURRENT	POWER	SPEED	AIR FLOW		STATIC PRESSURE		NOISE	CURVE
	V	A	W	RPM	CMM	CFM	mmH ₂ O	INH ₂ O	(dBA)	
3007RVL-N(P) 5	5	0.13	0.65	6000	0.054	1.91	1.68	0.066	22.6	L
3007RVM-N(P) 5	5	0.22	1.10	9000	0.085	3.03	3.66	0.144	28.1	M
3007RVH-N(P) 5	5	0.35	1.75	12000	0.117	4.15	6.43	0.253	35.4	H
3007RVL-N(P) 1	12	0.07	0.84	6000	0.054	1.91	1.68	0.066	22.6	L
3007RVM-N(P) 1	12	0.11	1.32	9000	0.085	3.03	3.66	0.144	28.1	M
3007RVH-N(P) 1	12	0.17	2.04	12000	0.117	4.15	6.43	0.253	35.4	H

PERFORMANCE CURVES



DIMENSIONS DRAWING



*Specifications are subject to change without notice

3010 Triangle Fan Series

Dimensions: 30X30X10 mm

Bearing Type: FDB,Hydraulic,Ball Bearing

Function Type: FG/RD Signal,PWM pulse

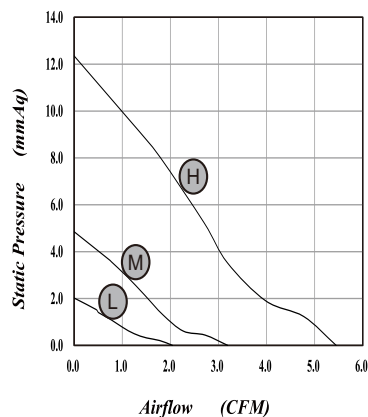
Protection: Auto Restart Protection or General Options



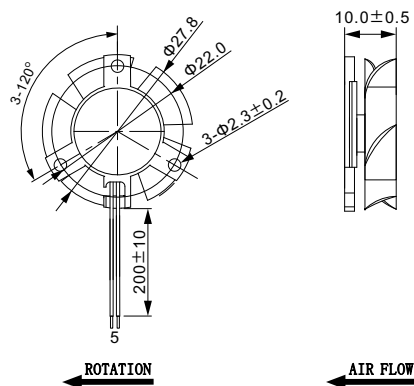
SPECIFICATIONS

MODEL NO	VOLTAGE	CURRENT	POWER	SPEED	AIR FLOW		STATIC PRESSURE		NOISE	CURVE
	V	A	W	RPM	CMM	CFM	mmH ₂ O	INH ₂ O	(dBA)	
3010B/R05L-N (P/M)	5	0.18	0.90	6000	0.055	2.05	2.02	0.079	23.6	L
3010B/R05M-N (P/M)	5	0.25	1.25	10000	0.090	3.19	4.85	0.191	28.2	M
3010B/R05H-N (P/M)	5	0.32	1.00	15000	0.154	5.45	12.35	0.486	42.0	H
3010B/RVL-N (P/M) 1	12	0.13	1.56	6000	0.055	2.05	2.02	0.079	23.6	L
3010B/RVM-N (P/M) 1	12	0.20	2.40	10000	0.090	3.19	4.85	0.191	28.2	M
3010B/RVH-N (P/M) 1	12	0.32	3.84	15000	0.154	5.45	12.35	0.486	42.0	H

PERFORMANCE CURVES



DIMENSIONS DRAWING



*Specifications are subject to change without notice

3510 Triangle Fan Series

Dimensions: 35X35X10 mm

Bearing Type: FDB,Hydraulic,Ball Bearing

Function Type: FG/RD Signal,PWM pulse

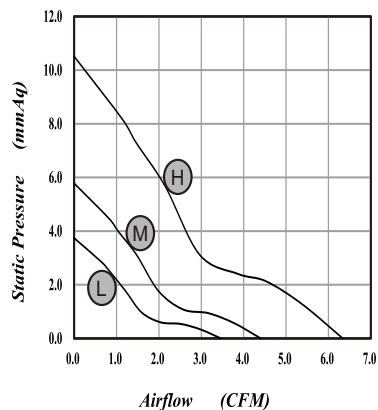
Protection: Auto Restart Protection or General Options



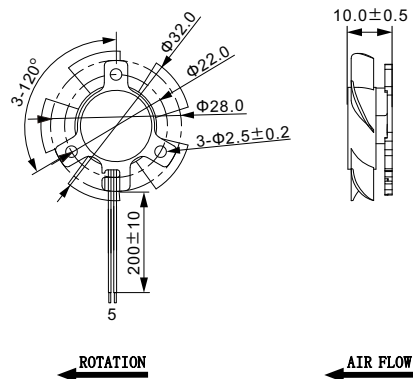
SPECIFICATIONS

MODEL NO	VOLTAGE	CURRENT	POWER	SPEED	AIR FLOW		STATIC PRESSURE		NOISE	CURVE
	V	A	W	RPM	CMM	CFM	mmH ₂ O	INH ₂ O	(dBA)	
3510B/RVL-N (P/M) 5	5	0.14	0.70	6500	0.092	3.25	2.19	0.086	26.2	L
3510B/RVM-N (P/M) 5	5	0.22	1.10	7500	0.109	3.86	2.96	0.117	29.1	M
3510B/RVH-N (P/M) 5	5	0.35	1.75	9500	0.139	4.90	4.74	0.187	35.5	H
3510B/RVL-N (P/M) 1	12	0.09	1.08	6500	0.092	3.25	2.19	0.086	26.2	L
3510B/RVM-N (P/M) 1	12	0.18	2.16	7500	0.109	3.86	2.96	0.117	29.1	M
3510B/RVH-N (P/M) 1	12	0.32	3.84	9500	0.139	4.90	4.74	0.187	35.5	H

PERFORMANCE CURVES



DIMENSIONS DRAWING



*Specifications are subject to change without notice

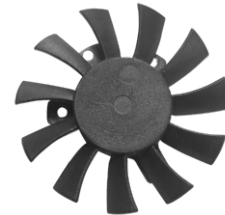
4007 Triangle Fan Series

Dimensions: 40X40X07 mm

Bearing Type: FDB,Hydraulic

Function Type: FG/RD Signal,PWM pulse

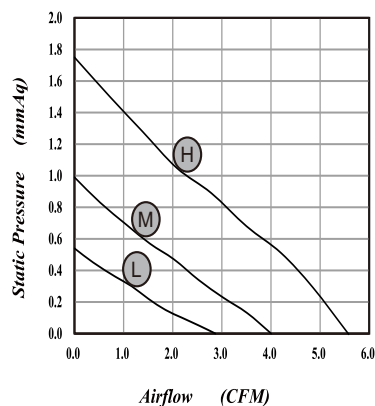
Protection: Auto Restart Protection or General Options



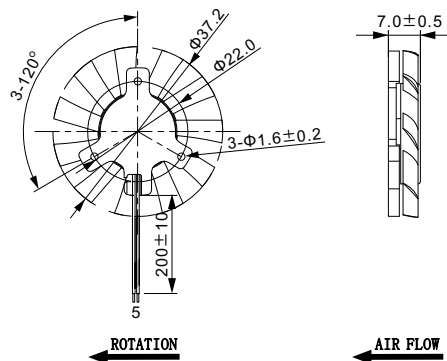
SPECIFICATIONS

MODEL NO	VOLTAGE	CURRENT	POWER	SPEED	AIR FLOW		STATIC PRESSURE		NOISE	CURVE
	V	A	W	RPM	CMM	CFM	mmH ₂ O	INH ₂ O	(dBA)	
4007RVL-N(P) 5	5	0.15	0.75	3000	0.081	2.87	0.54	0.021	23.9	L
4007RVM-N(P) 5	5	0.20	1.00	4000	0.113	4.01	0.99	0.039	24.5	M
4007RVH-N(P) 5	5	0.30	1.50	5500	0.158	5.60	1.75	0.069	29.8	H
4007RVL-N(P) 1	12	0.10	1.20	3000	0.081	2.87	0.54	0.021	23.9	L
4007RVM-N(P) 1	12	0.15	1.80	4000	0.113	4.01	0.99	0.039	24.5	M
4007RVH-N(P) 1	12	0.25	3.00	5500	0.158	5.60	1.75	0.069	29.8	H

PERFORMANCE CURVES



DIMENSIONS DRAWING



*Specifications are subject to change without notice

4010 Triangle Fan Series

Dimensions: 40X40X10 mm

Bearing Type: FDB,Hydraulic,Ball Bearing

Function Type: FG/RD Signal,PWM pulse

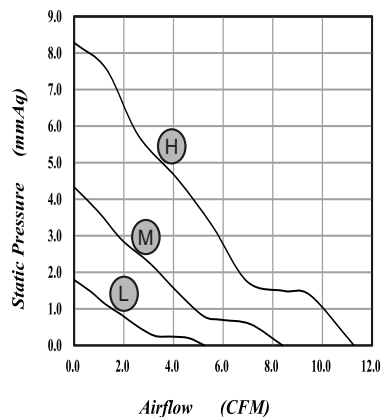
Protection: Auto Restart Protection or General Options



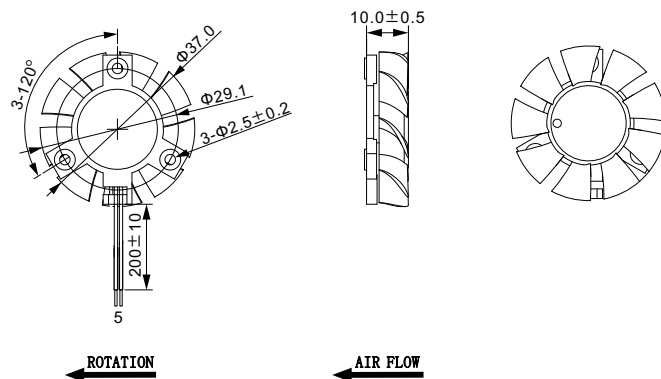
SPECIFICATIONS

MODEL NO	VOLTAGE	CURRENT	POWER	SPEED	AIR FLOW		STATIC PRESSURE		NOISE	CURVE
	V	A	W	RPM	CMM	CFM	mmH ₂ O	INH ₂ O	(dBA)	
AD4010B/R05L-N (P/M)	5	0.20	1.00	4000	0.148	5.26	1.79	0.070	25.3	L
AD4010B/R05M-N (P/M)	5	0.35	1.75	6000	0.237	8.40	4.33	0.170	31.8	M
AD4010B/R05H-N (P/M)	5	0.45	2.25	8000	0.318	11.26	8.28	0.326	40.1	H
4010B/RVL-N (P/M) 1	12	0.13	1.56	4000	0.148	5.26	1.79	0.070	25.3	L
4010B/RVM-N (P/M) 1	12	0.22	2.64	6000	0.237	8.40	4.33	0.170	31.8	M
4010B/RVH-N (P/M) 1	12	0.35	4.20	8000	0.318	11.26	8.28	0.326	40.1	H
4010B/RVL-N (P/M) 2	24	0.10	2.40	4000	0.148	5.26	1.79	0.070	25.3	L
4010B/RVM-N (P/M) 2	24	0.18	4.32	6000	0.237	8.40	4.33	0.170	31.8	M
4010B/RVH-N (P/M) 2	24	0.25	6.00	8000	0.318	11.26	8.28	0.326	40.1	H

PERFORMANCE CURVES



DIMENSIONS DRAWING



*Specifications are subject to change without notice

5008 Triangle Fan Series

Dimensions: 50X50X08 mm

Bearing Type: FDB,Hydraulic

Function Type: FG/RD Signal,PWM pulse

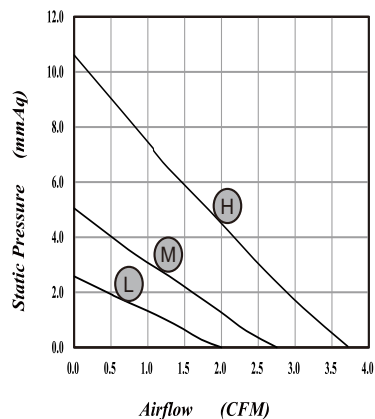
Protection: Auto Restart Protection or General Options



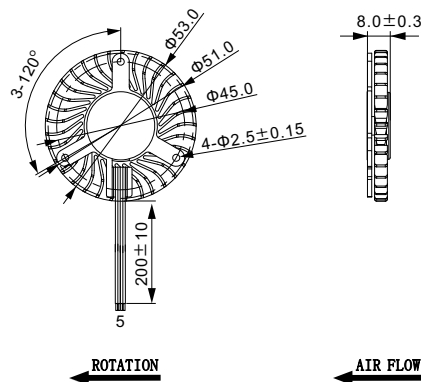
SPECIFICATIONS

MODEL NO	VOLTAGE	CURRENT	POWER	SPEED	AIR FLOW		STATIC PRESSURE		NOISE	CURVE
	V	A	W	RPM	CMM	CFM	mmH ₂ O	INH ₂ O	(dBA)	
5008RVL-N (P/M) 5	5	0.20	1.00	2500	0.057	2.00	2.58	0.102	17.0	L
5008RVM-N (P/M) 5	5	0.35	1.75	3500	0.078	2.75	5.05	0.199	25.4	M
5008RVH-N (P/M) 5	5	0.65	3.25	4800	0.105	3.72	10.61	0.418	33.4	H
5008RVL-N (P/M) 1	12	0.12	1.44	2500	0.057	2.00	2.58	0.102	17.0	L
5008RVM-N (P/M) 1	12	0.25	3.00	3500	0.078	2.75	5.05	0.199	25.4	M
5008RVH-N (P/M) 1	12	0.40	4.80	4800	0.105	3.72	10.61	0.418	33.4	H

PERFORMANCE CURVES



DIMENSIONS DRAWING



*Specifications are subject to change without notice

5010 Triangle Fan Series

Dimensions: 50X50X10 mm

Bearing Type: Hydraulic, Ball Bearing

Function Type: FG/RD Signal, PWM pulse

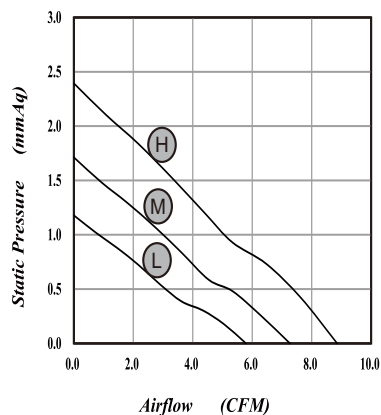
Protection: Auto Restart Protection or General Options



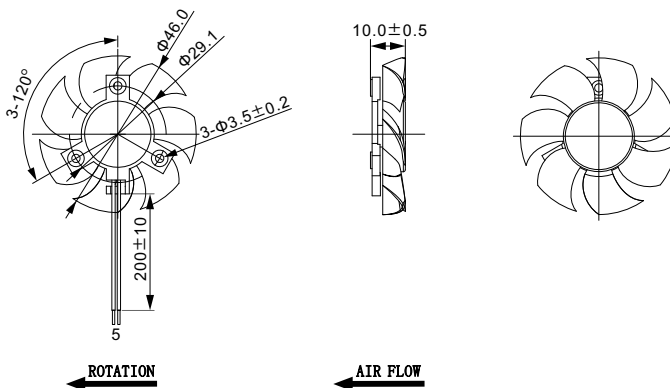
SPECIFICATIONS

MODEL NO	VOLTAGE	CURRENT	POWER	SPEED	AIR FLOW		STATIC PRESSURE		NOISE	CURVE
	V	A	W	RPM	CMM	CFM	mmH ₂ O	INH ₂ O	(dBA)	
5010B/RVL-N (P/M) 5	5	0.25	1.25	3400	0.163	5.79	1.18	0.046	27.6	L
5010B/RVM-N (P/M) 5	5	0.35	1.75	4200	0.205	7.27	1.71	0.067	29.2	M
5010B/RVH-N (P/M) 5	5	0.45	2.25	5000	0.250	8.86	2.39	0.094	32.0	H
5010B/RVL-N (P/M) 1	12	0.16	1.92	3400	0.163	5.79	1.18	0.046	27.6	L
5010B/RVM-N (P/M) 1	12	0.25	3.00	4200	0.205	7.27	1.71	0.067	29.2	M
5010B/RVH-N (P/M) 1	12	0.35	4.20	5000	0.250	8.86	2.39	0.094	32.0	H

PERFORMANCE CURVES



DIMENSIONS DRAWING



*Specifications are subject to change without notice

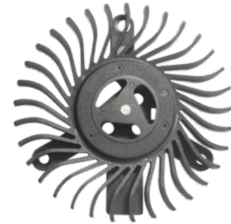
6008 Triangle Fan Series

Dimensions: 60X60X08 mm

Bearing Type: FDB,Hydraulic,Ball Bearing

Function Type: FG/RD Signal,PWM pulse

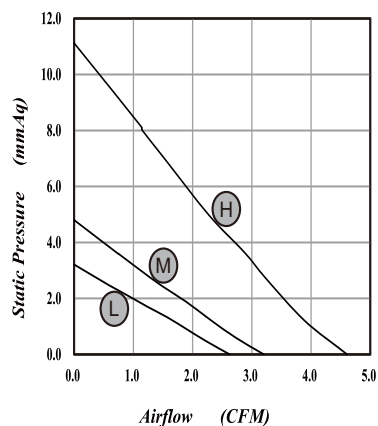
Protection: Auto Restart Protection or General Options



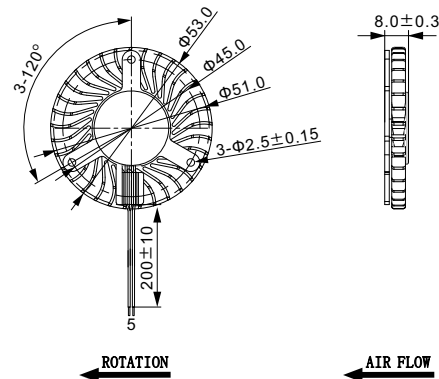
SPECIFICATIONS

MODEL NO	VOLTAGE	CURRENT	POWER	SPEED	AIR FLOW		STATIC PRESSURE		NOISE	CURVE
	V	A	W	RPM	CMM	CFM	mmH ₂ O	INH ₂ O	(dBA)	
6008RVL-N (P/M) 5	5	0.20	1.00	2000	0.075	2.63	3.21	0.126	14.8	L
6008RVM-N (P/M) 5	5	0.35	1.75	2500	0.091	3.20	4.80	0.189	18.4	M
6008RVH-N (P/M) 5	5	0.65	3.25	3500	0.131	4.61	11.12	0.438	28.6	H
6008RVL-N (P/M) 12	12	0.12	1.44	2000	0.075	2.63	3.21	0.126	14.8	L
6008RVM-N (P/M) 12	12	0.25	3.00	2500	0.091	3.20	4.80	0.189	18.4	M
6008RVH-N (P/M) 12	12	0.40	4.80	3500	0.131	4.61	11.12	0.438	28.6	H

PERFORMANCE CURVES



DIMENSIONS DRAWING



*Specifications are subject to change without notice

6010 Triangle Fan Series

Dimensions: 60X60X10 mm

Bearing Type: FDB,Hydraulic,Ball Bearing

Function Type: FG/RD Signal,PWM pulse

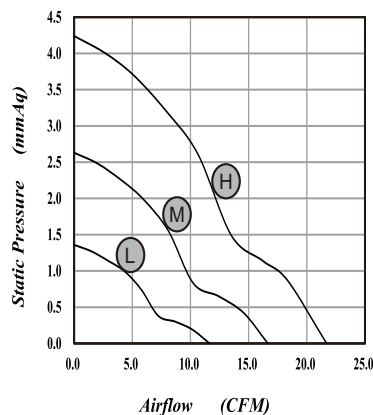
Protection: Auto Restart Protection or General Options



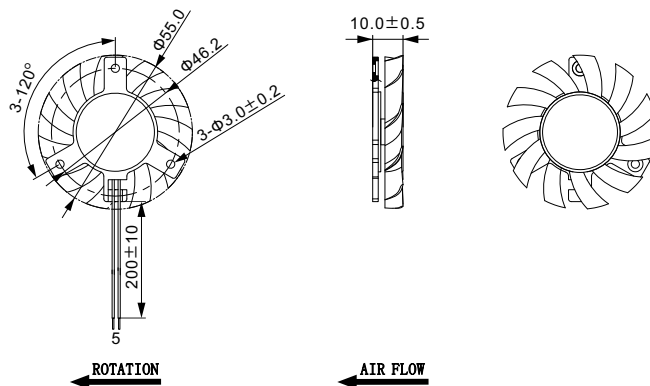
SPECIFICATIONS

MODEL NO	VOLTAGE	CURRENT	POWER	SPEED	AIR FLOW		STATIC PRESSURE		NOISE	CURVE
	V	A	W	RPM	CMM	CFM	mmH ₂ O	INH ₂ O	(dBA)	
6010B/RVL-N (P/M) 5	5	0.12	0.60	3000	0.330	11.65	1.36	0.053	23.4	L
6010B/RVM-N (P/M) 5	5	0.22	1.10	4200	0.472	16.66	2.63	0.104	33.0	M
6010B/RVH-N (P/M) 5	5	0.45	2.25	5400	0.615	21.70	4.24	0.167	40.3	H
6010B/RVL-N (P/M) 1	12	0.11	1.32	3000	0.330	11.65	1.36	0.053	23.4	L
6010B/RVM-N (P/M) 1	12	0.20	2.40	4200	0.472	16.66	2.63	0.104	33.0	M
6010B/RVH-N (P/M) 1	12	0.45	5.40	5400	0.615	21.70	4.24	0.167	40.3	H

PERFORMANCE CURVES



DIMENSIONS DRAWING



*Specifications are subject to change without notice

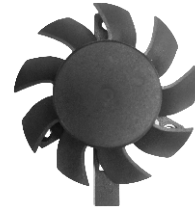
6015 Triangle Fan Series

Dimensions: 60X60X15 mm

Bearing Type: Hydraulic, Ball Bearing

Function Type: FG/RD Signal, PWM pulse

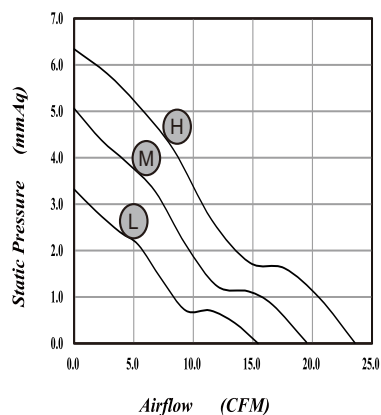
Protection: Auto Restart Protection or General Options



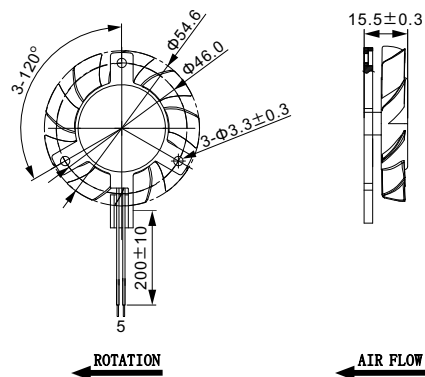
SPECIFICATIONS

MODEL NO	VOLTAGE	CURRENT	POWER	SPEED	AIR FLOW		STATIC PRESSURE		NOISE	CURVE
	V	A	W	RPM	CMM	CFM	mmH ₂ O	INH ₂ O	(dBA)	
6015B/RVL-N (P/M) 5	5	0.25	1.25	4000	0.437	15.44	3.32	0.131	32.1	L
6015B/RVM-N (P/M) 5	5	0.35	1.75	5000	0.552	19.52	5.06	0.199	36.6	M
6015B/RVH-N (P/M) 5	5	0.50	2.50	6000	0.667	23.57	6.34	0.250	41.7	H
6015B/RVL-N (P/M) 1	12	0.22	2.64	4000	0.437	15.44	3.32	0.131	32.1	L
6015B/RVM-N (P/M) 1	12	0.33	3.96	5000	0.552	19.52	5.06	0.199	36.6	M
6015B/RVH-N (P/M) 1	12	0.45	5.40	6000	0.667	23.57	6.34	0.250	41.7	H

PERFORMANCE CURVES



DIMENSIONS DRAWING



*Specifications are subject to change without notice

6025 Triangle Fan Series

Dimensions: 60X60X25 mm

Bearing Type: Ball Bearing

Function Type: FG/RD Signal, PWM pulse

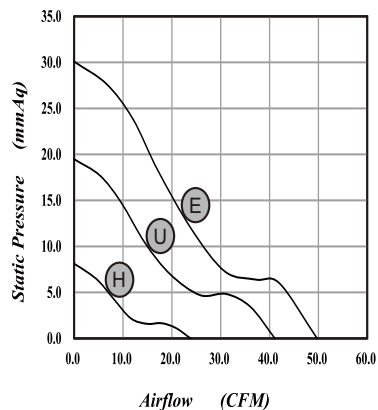
Protection: Auto Restart Protection or General Options



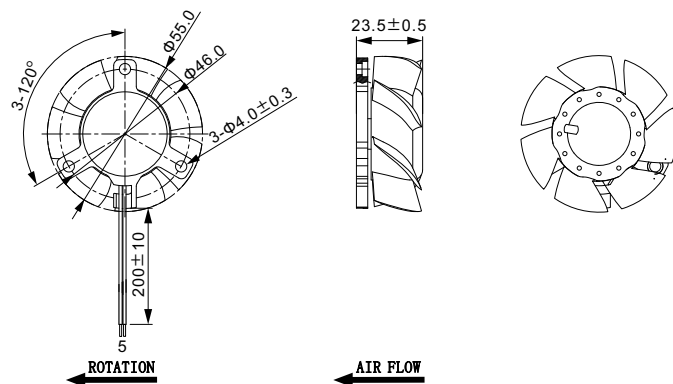
SPECIFICATIONS

MODEL NO	VOLTAGE	CURRENT	POWER	SPEED	AIR FLOW		STATIC PRESSURE		NOISE	CURVE
	V	A	W	RPM	CMM	CFM	mmH ₂ O	INH ₂ O	(dBA)	
6025B/RVL-N (P/M) 1	12	0.55	6.60	5000	0.673	23.84	8.12	0.320	43.5	H
6025B/RVM-N (P/M) 1	12	1.30	15.60	8000	1.163	41.09	19.48	0.768	56.6	U
6025B/RVH-N (P/M) 1	12	2.00	24.00	10500	1.488	52.53	32.85	1.293	63.0	E
6025B/RVL-N (P/M) 2	24	0.35	8.40	5000	0.673	23.84	8.12	0.320	43.5	H
6025B/RVM-N (P/M) 2	24	1.00	24.00	8000	1.163	41.09	19.48	0.768	56.6	U
6025B/RVH-N (P/M) 2	24	1.60	38.40	10500	1.488	52.53	32.85	1.293	63.0	E

PERFORMANCE CURVES



DIMENSIONS DRAWING



*Specifications are subject to change without notice

7010 Triangle Fan Series

Dimensions: 70X70X10 mm

Bearing Type: FDB,Hydraulic,Ball Bearing

Function Type: FG/RD Signal,PWM pulse

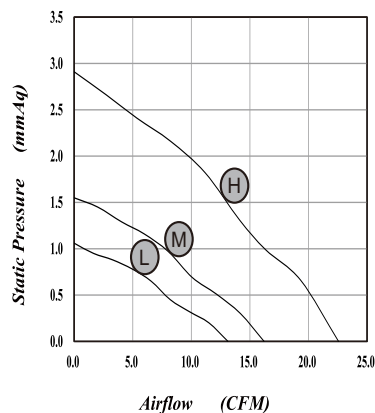
Protection: Auto Restart Protection or General Options



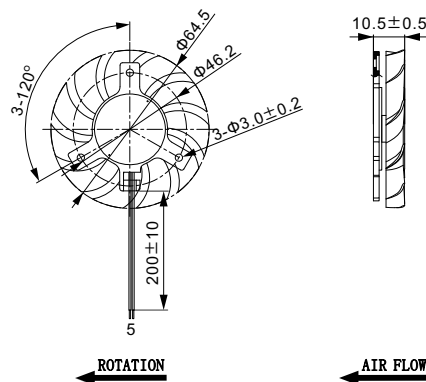
SPECIFICATIONS

MODEL NO	VOLTAGE	CURRENT	POWER	SPEED	AIR FLOW		STATIC PRESSURE		NOISE	CURVE
	V	A	W	RPM	CMM	CFM	mmH ₂ O	INH ₂ O	(dBA)	
7010B/RVL-N (P/M) 1	12	0.12	1.44	2500	0.372	13.13	1.06	0.042	25.0	L
7010B/RVM-N (P/M) 1	12	0.28	3.36	3100	0.459	16.21	1.55	0.061	30.8	M
7010B/RVH-N (P/M) 1	12	0.45	5.40	4300	0.639	22.56	2.91	0.115	40.5	H
7010B/RVL-N (P/M) 2	24	0.10	2.40	2500	0.372	13.13	1.06	0.042	25.0	L
7010B/RVM-N (P/M) 2	24	0.20	4.80	3100	0.459	16.21	1.55	0.061	30.8	M
7010B/RVH-N (P/M) 2	24	0.38	9.12	4300	0.639	22.56	2.91	0.115	40.5	H

PERFORMANCE CURVES



DIMENSIONS DRAWING



*Specifications are subject to change without notice

7015 Triangle Fan Series

Dimensions: 70X70X15 mm

Bearing Type: FDB,Hydraulic,Ball Bearing

Function Type: FG/RD Signal,PWM pulse

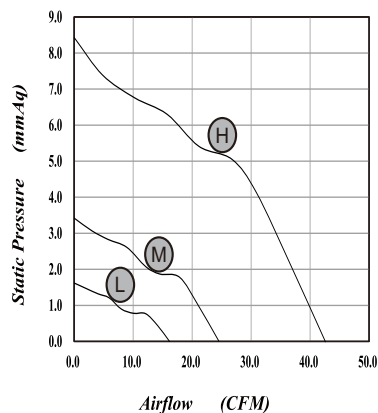
Protection: Auto Restart Protection or General Options



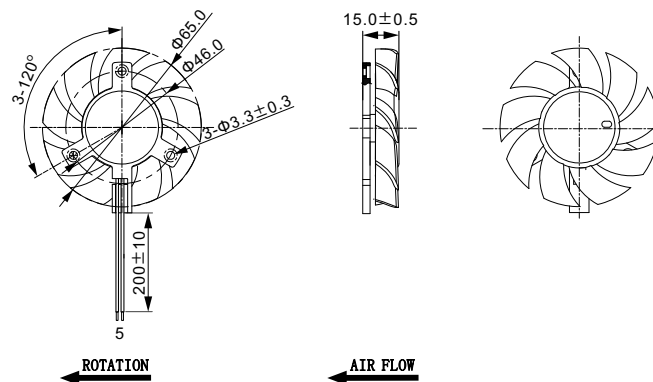
SPECIFICATIONS

MODEL NO	VOLTAGE	CURRENT	POWER	SPEED	AIR FLOW		STATIC PRESSURE		NOISE	CURVE
	V	A	W	RPM	CMM	CFM	mmH ₂ O	INH ₂ O	(dBA)	
7015B/RVL-N (P/M) 1	12	0.24	2.88	2600	0.458	16.18	1.62	0.064	25.0	L
7015B/RVM-N (P/M) 1	12	0.35	4.20	3800	0.695	24.53	3.42	0.135	33.3	M
7015B/RVH-N (P/M) 1	12	0.55	6.60	6000	1.206	42.61	8.43	0.331	49.0	H
7015B/RVL-N (P/M) 2	24	0.12	2.88	2600	0.458	16.18	1.62	0.064	25.0	L
7015B/RVM-N (P/M) 2	24	0.22	5.28	3800	0.695	24.53	3.42	0.135	33.3	M
7015B/RVH-N (P/M) 2	24	0.40	9.60	6000	1.206	42.61	8.43	0.331	49.0	H

PERFORMANCE CURVES



DIMENSIONS DRAWING



*Specifications are subject to change without notice

7025 Triangle Fan Series

Dimensions: 70X70X25 mm

Bearing Type: FDB,Hydraulic,Ball Bearing

Function Type: FG/RD Signal,PWM pulse

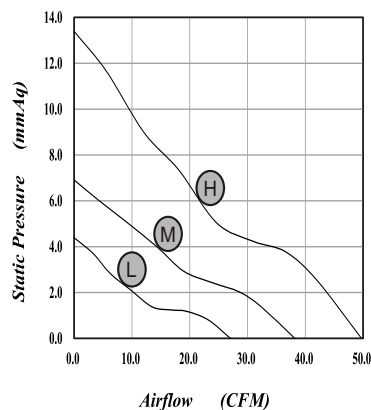
Protection: Auto Restart Protection or General Options



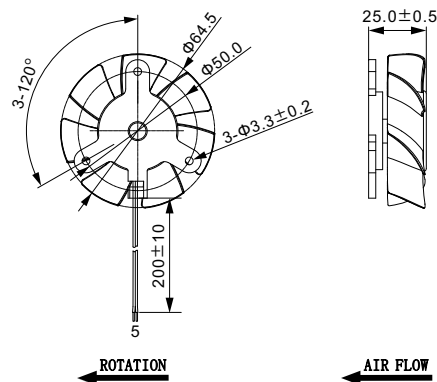
SPECIFICATIONS

MODEL NO	VOLTAGE	CURRENT	POWER	SPEED	AIR FLOW		STATIC PRESSURE		NOISE	CURVE
	V	A	W	RPM	CMM	CFM	mmH ₂ O	INH ₂ O	(dBA)	
7025B/RVL-N (P/M) 1	12	0.25	3.00	3000	0.736	27.05	4.39	0.172	31.4	L
7025B/RVM-N (P/M) 1	12	0.35	4.20	4500	1.081	38.18	6.91	0.272	40.2	M
7025B/RVH-N (P/M) 1	12	0.55	6.60	6000	1.406	49.68	13.39	0.527	46.4	H
7025B/RVL-N (P/M) 2	24	0.10	2.40	3000	0.736	27.05	4.39	0.172	31.4	L
7025B/RVM-N (P/M) 2	24	0.20	4.80	4500	1.081	38.18	6.91	0.272	40.2	M
7025B/RVH-N (P/M) 2	24	0.32	7.68	6000	1.406	49.68	13.39	0.527	46.4	H

PERFORMANCE CURVES



DIMENSIONS DRAWING



*Specifications are subject to change without notice

8010 Triangle Fan Series

Dimensions: 80X80X10 mm

Bearing Type: FDB,Hydraulic,Ball Bearing

Function Type: FG/RD Signal,PWM pulse

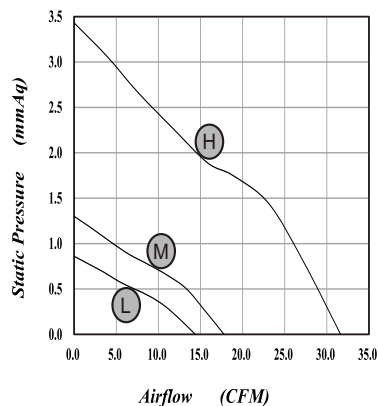
Protection: Auto Restart Protection or General Options



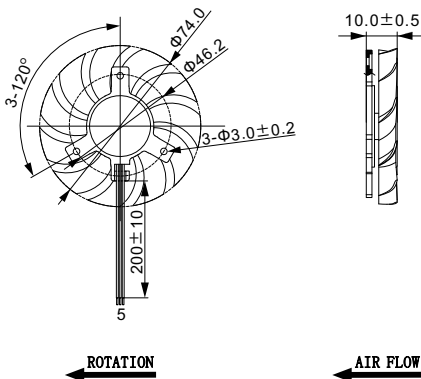
SPECIFICATIONS

MODEL NO	VOLTAGE	CURRENT	POWER	SPEED	AIR FLOW		STATIC PRESSURE		NOISE	CURVE
	V	A	W	RPM	CMM	CFM	mmH ₂ O	INH ₂ O	(dBA)	
8010B/RVL-N (P/M) 5	5	0.16	0.80	2000	0.407	14.39	0.86	0.034	23.1	L
8010B/RVM-N (P/M) 5	5	0.25	1.25	2500	0.504	17.80	1.30	0.051	27.2	M
8010B/RVH-N (P/M) 5	5	0.70	3.50	4200	0.895	31.64	3.43	0.135	38.9	H
8010B/RVL-N (P/M) 1	12	0.10	1.20	2000	0.407	14.39	0.86	0.034	23.1	L
8010B/RVM-N (P/M) 1	12	0.14	1.68	2500	0.504	17.80	1.30	0.051	27.2	M
8010B/RVH-N (P/M) 1	12	0.30	3.60	4200	0.895	31.64	3.43	0.135	38.9	H

PERFORMANCE CURVES



DIMENSIONS DRAWING



*Specifications are subject to change without notice

8015 Triangle Fan Series

Dimensions: 80X80X15 mm

Bearing Type: Hydraulic, Ball Bearing

Function Type: FG/RD Signal, PWM pulse

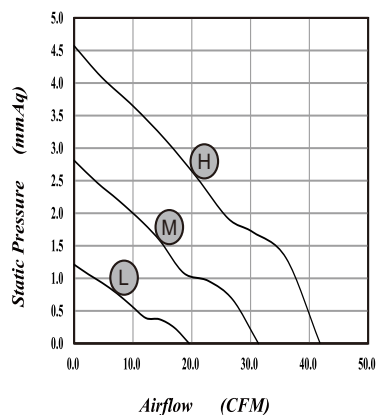
Protection: Auto Restart Protection or General Options



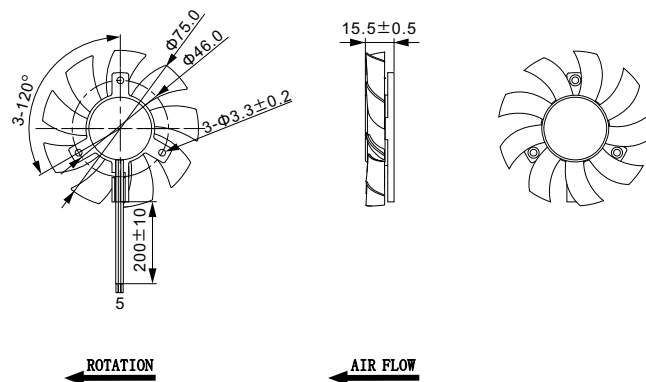
SPECIFICATIONS

MODEL NO	VOLTAGE	CURRENT	POWER	SPEED	AIR FLOW		STATIC PRESSURE		NOISE	CURVE
	V	A	W	RPM	CMM	CFM	mmH ₂ O	INH ₂ O	(dBA)	
8015S (B/R) VL-N (P/M) 5	5	0.25	1.25	2000	0.554	19.56	1.21	0.048	26.9	L
8015S (B/R) VM-N (P/M) 5	5	0.40	2.00	3000	0.887	31.34	2.81	0.111	35.4	M
8015S (B/R) VH-N (P/M) 5	5	0.70	3.50	4000	1.183	41.79	4.57	0.180	42.6	H
8015S (B/R) VL-N (P/M) 1	12	0.15	1.80	2000	0.554	19.56	1.21	0.048	26.9	L
8015S (B/R) VM-N (P/M) 1	12	0.32	3.84	3000	0.887	31.34	2.81	0.111	35.4	M
8015S (B/R) VH-N (P/M) 1	12	0.60	7.20	4000	1.183	41.79	4.57	0.180	42.6	H
8015S (B/R) VL-N (P/M) 2	24	0.10	2.40	2000	0.554	19.56	1.21	0.048	26.9	L
8015S (B/R) VM-N (P/M) 2	24	0.18	4.32	3000	0.887	31.34	2.81	0.111	35.4	M
8015S (B/R) VH-N (P/M) 2	24	0.45	10.80	4000	1.183	41.79	4.57	0.180	42.6	H

PERFORMANCE CURVES



DIMENSIONS DRAWING



*Specifications are subject to change without notice

8020 Triangle Fan Series

Dimensions: 80X80X20 mm

Bearing Type: FDB,Hydraulic,Ball Bearing

Function Type: FG/RD Signal,PWM pulse

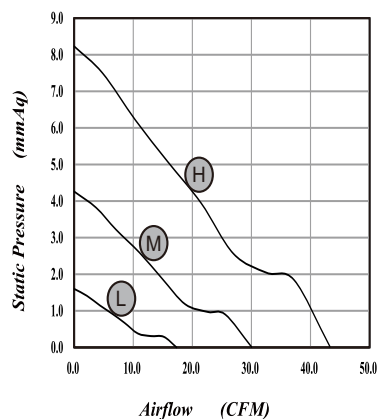
Protection: Auto Restart Protection or General Options



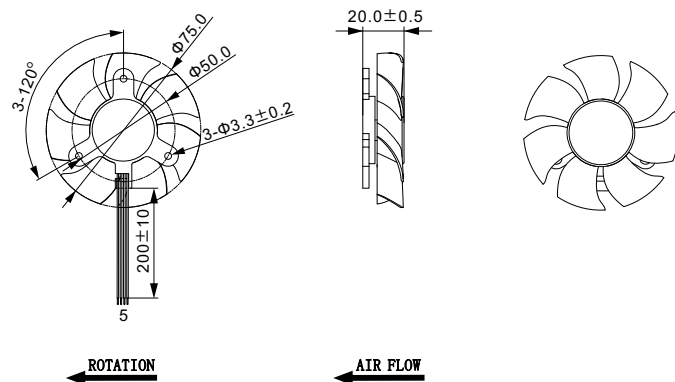
SPECIFICATIONS

MODEL NO	VOLTAGE	CURRENT	POWER	SPEED	AIR FLOW		STATIC PRESSURE		NOISE	CURVE
	V	A	W	RPM	CMM	CFM	mmH ₂ O	INH ₂ O	(dBA)	
8020B/RVL-N (P/M) 5	5	0.28	1.40	2000	0.491	17.34	1.60	0.063	24.5	L
8020B/RVM-N (P/M) 5	5	0.45	2.25	3500	0.850	30.04	4.26	0.168	37.0	M
8020B/RVH-N (P/M) 5	5	0.65	3.25	5000	1.225	43.30	8.23	0.324	46.8	H
8020B/RVL-N (P/M) 1	12	0.15	1.80	2000	0.491	17.34	1.60	0.063	24.5	L
8020B/RVM-N (P/M) 1	12	0.40	4.80	3500	0.850	30.04	4.26	0.168	37.0	M
8020B/RVH-N (P/M) 1	12	0.50	6.00	5000	1.225	43.30	8.23	0.324	46.8	H
8020B/RVL-N (P/M) 2	24	0.10	2.40	2000	0.491	17.34	1.60	0.063	24.5	L
8020B/RVM-N (P/M) 2	24	0.25	6.00	3500	0.850	30.04	4.26	0.168	37.0	M
8020B/RVH-N (P/M) 2	24	0.45	10.80	5000	1.225	43.30	8.23	0.324	46.8	H

PERFORMANCE CURVES



DIMENSIONS DRAWING



*Specifications are subject to change without notice

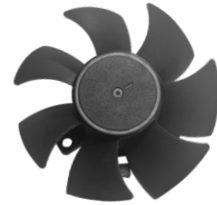
8025 Triangle Fan Series

Dimensions: 80X80X25 mm

Bearing Type: FDB,Hydraulic,Ball Bearing

Function Type: FG/RD Signal,PWM pulse

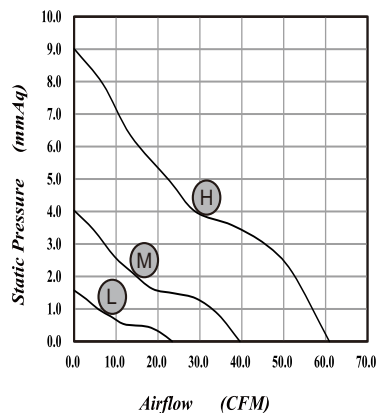
Protection: Auto Restart Protection or General Options



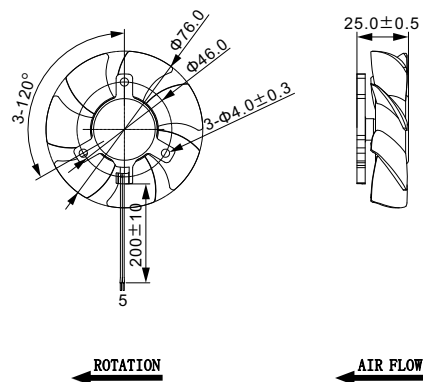
SPECIFICATIONS

MODEL NO	VOLTAGE	CURRENT	POWER	SPEED	AIR FLOW		STATIC PRESSURE		NOISE	CURVE
	V	A	W	RPM	CMM	CFM	mmH ₂ O	INH ₂ O	(dBA)	
AD8025B/R12L-N (P/M)	12	0.13	1.56	1800	0.663	23.41	1.57	0.062	18.1	L
AD8025B/R12M-N (P/M)	12	0.26	3.12	3100	1.120	39.55	4.03	0.158	32.7	M
AD8025B/R12H-N (P/M)	12	0.51	6.12	4800	1.725	60.90	9.01	0.354	48.1	H
AD8025B/R24L-N (P/M)	24	0.11	2.64	1800	0.663	23.41	1.57	0.062	18.1	L
AD8025B/R24M-N (P/M)	24	0.22	5.28	3100	1.120	39.55	4.03	0.158	32.7	M
AD8025B/R24H-N (P/M)	24	0.38	9.12	4800	1.725	60.90	9.01	0.354	48.1	H
AD8025B/R48L-N (P/M)	48	0.08	3.84	1800	0.663	23.41	1.57	0.062	18.1	L
AD8025B/R48M-N (P/M)	48	0.18	8.64	3100	1.120	39.55	4.03	0.158	32.7	M
AD8025B/R48H-N (P/M)	48	0.30	14.40	4800	1.725	60.90	9.01	0.354	48.1	H

PERFORMANCE CURVES



DIMENSIONS DRAWING



*Specifications are subject to change without notice

9215 Triangle Fan Series

Dimensions: 92X92X15 mm

Bearing Type: Ball Bearing

Function Type: FG/RD Signal, PWM pulse

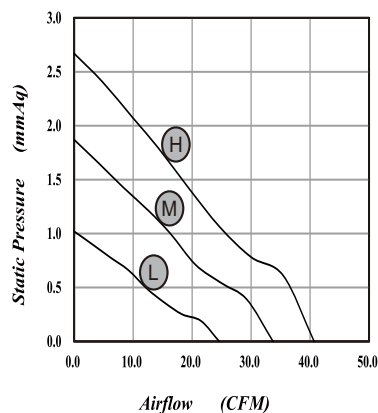
Protection: Auto Restart Protection or General Options



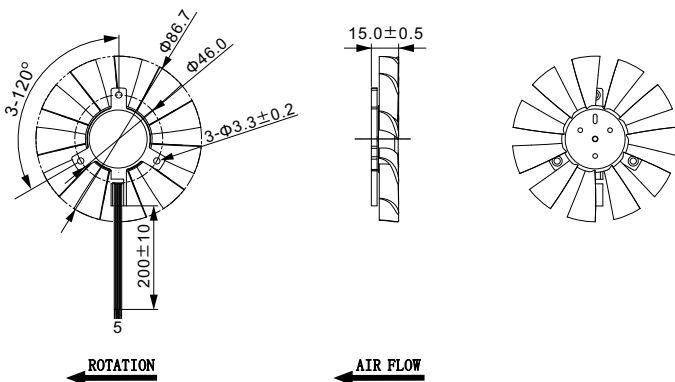
SPECIFICATIONS

MODEL NO	VOLTAGE	CURRENT	POWER	SPEED	AIR FLOW		STATIC PRESSURE		NOISE	CURVE
	V	A	W	RPM	CMM	CFM	mmH ₂ O	INH ₂ O	(dBA)	
9215B/R12L-N (P/M)	12	0.10	1.20	1500	0.700	24.60	1.02	0.040	26.8	L
9215B/R12M-N (P/M)	12	0.25	3.00	2000	0.950	33.73	10.87	0.070	33.7	M
9215B/R12H-N (P/M)	12	0.45	5.40	2500	1.150	40.70	2.5167	0.110	39.8	H

PERFORMANCE CURVES



DIMENSIONS DRAWING



*Specifications are subject to change without notice

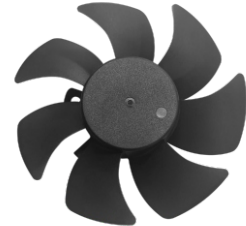
9225 Triangle Fan Series

Dimensions: 92X92X25 mm

Bearing Type: FDB,Hydraulic,Ball Bearing

Function Type: FG/RD Signal,PWM pulse

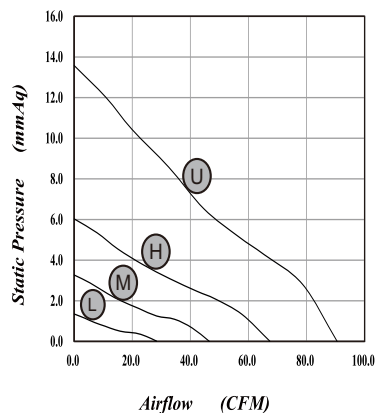
Protection: Auto Restart Protection or General Options



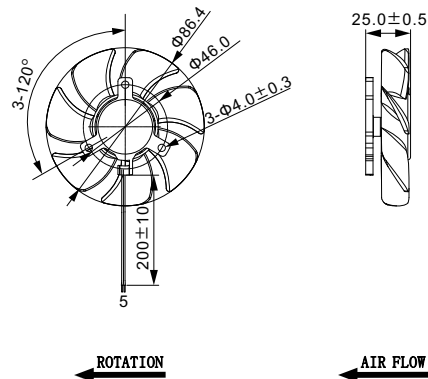
SPECIFICATIONS

MODEL NO	VOLTAGE	CURRENT	POWER	SPEED	AIR FLOW		STATIC PRESSURE		NOISE	CURVE
	V	A	W	RPM	CMM	CFM	mmH ₂ O	INH ₂ O	(dBA)	
AD9225B/R12L-N (P/M)	12	0.21	2.52	1800	0.805	28.43	1.35	0.053	26.7	L
AD9225B/R12ML-N (P/M)	12	0.40	4.80	2800	1.319	46.57	3.27	0.129	34.1	M
AD9225B/R12H-N (P/M)	12	0.61	7.20	4000	1.908	67.38	6.03	0.237	44.8	H
AD9225B12U-N (P/M)	12	1.20	14.40	6000	2.564	90.57	13.58	0.534	53.6	U
AD9225B/R24L-N (P/M)	24	0.15	3.60	1800	0.805	28.43	1.35	0.053	26.7	L
AD9225B/R24M-N (P/M)	24	0.30	7.20	2800	1.319	46.57	3.27	0.129	34.1	M
AD9225B/R24H-N (P/M)	24	0.80	19.20	4000	1.908	67.38	6.03	0.237	44.8	H
AD9225B24U-N (P/M)	24	0.75	18.00	6000	2.564	90.57	13.58	0.534	53.6	U
AD9225B/R48L-N (P/M)	48	0.12	5.76	1800	0.805	28.43	1.35	0.053	26.7	L
AD9225B/R48M-N (P/M)	48	0.21	10.08	2800	1.319	46.57	3.27	0.129	34.1	M
AD9225B/R48H-N (P/M)	48	0.45	21.60	4000	1.908	67.38	6.03	0.237	44.8	H
AD9225B48U-N (P/M)	48	0.50	24.00	6000	2.564	90.57	13.58	0.534	53.6	U

PERFORMANCE CURVES



DIMENSIONS DRAWING



*Specifications are subject to change without notice