

## 12032 Blower Series

Dimensions: 120X120X32 mm

Bearing Type: Ball Bearing

Function Type: FG/RD Signal, PWM pulse

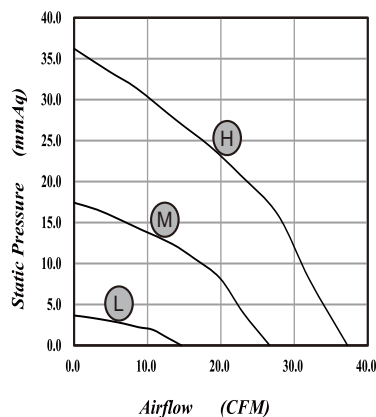
Protection: Auto Restart Protection or General Options



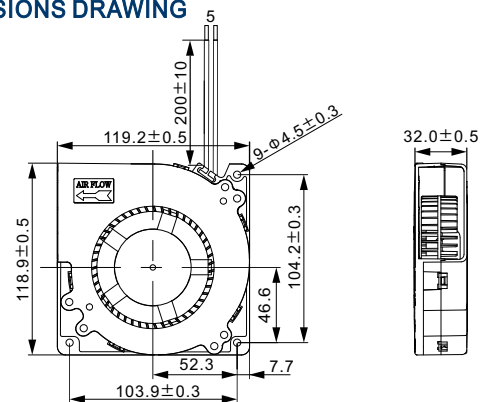
### SPECIFICATIONS

| MODEL NO           | VOLTAGE | CURRENT | POWER | SPEED | AIR FLOW |       | STATIC PRESSURE    |                    | NOISE | CURVE |
|--------------------|---------|---------|-------|-------|----------|-------|--------------------|--------------------|-------|-------|
|                    | V       | A       | W     | RPM   | CMM      | CFM   | mmH <sub>2</sub> O | INH <sub>2</sub> O | (dBA) |       |
| 12032BVL-N (P/M) 1 | 12      | 0.09    | 1.08  | 1500  | 0.414    | 14.62 | 3.65               | 0.144              | 37.0  | L     |
| 12032BVM-N (P/M) 1 | 12      | 0.45    | 5.40  | 2500  | 0.754    | 26.60 | 17.41              | 0.685              | 49.9  | M     |
| 12032BVH-N (P/M) 1 | 12      | 1.90    | 22.80 | 3500  | 1.055    | 37.24 | 36.22              | 1.466              | 56.6  | H     |
| 12032BVL-N (P/M) 2 | 24      | 0.25    | 6.00  | 1500  | 0.414    | 14.62 | 3.65               | 0.144              | 37.0  | L     |
| 12032BVM-N (P/M) 2 | 24      | 0.60    | 14.40 | 2500  | 0.754    | 26.60 | 17.41              | 0.685              | 49.9  | M     |
| 12032BVH-N (P/M) 2 | 24      | 1.00    | 24.00 | 3500  | 1.055    | 37.24 | 36.22              | 1.466              | 56.6  | H     |
| 12032BVL-N (P/M) 4 | 48      | 0.10    | 4.80  | 1500  | 0.414    | 14.62 | 3.65               | 0.144              | 37.0  | L     |
| 12032BVM-N (P/M) 4 | 48      | 0.30    | 14.40 | 2500  | 0.754    | 26.60 | 17.41              | 0.685              | 49.9  | M     |
| 12032BVH-N (P/M) 4 | 48      | 0.60    | 28.80 | 3500  | 1.055    | 37.24 | 36.22              | 1.466              | 56.6  | H     |

### PERFORMANCE CURVES



### DIMENSIONS DRAWING



\*Specifications are subject to change without notice