

9215 Axial Series

Dimensions: 92X92X15 mm

Bearing Type: FDB,Hydraulic,Ball Bearing

Function Type: FG/RD Signal,PWM pulse

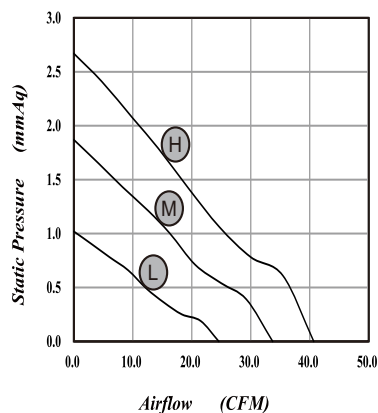
Protection: Auto Restart Protection or General Options



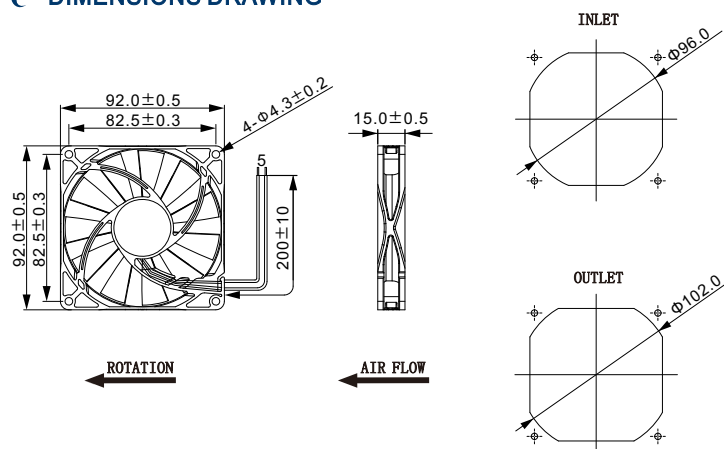
SPECIFICATIONS

MODEL NO	VOLTAGE	CURRENT	POWER	SPEED	AIR FLOW		STATIC PRESSURE		NOISE	CURVE
	V	A	W	RPM	CMM	CFM	mmH ₂ O	INH ₂ O	(dBA)	
9215B/R12L-N (P/M)	12	0.10	1.20	1500	0.700	24.60	1.02	0.040	26.8	L
9215B/R12M-N (P/M)	12	0.25	3.00	2000	0.950	33.73	10.87	0.070	33.7	M
9215B/R12H-N (P/M)	12	0.45	5.40	2500	1.150	40.70	2.67	0.110	39.8	H

PERFORMANCE CURVES



DIMENSIONS DRAWING



*Specifications are subject to change without notice