

## 3010 Blower Series

Dimensions: 30X30X10 mm

Bearing Type: FDB,Hydraulic,Ball Bearing

Function Type: FG/RD Signal,PWM pulse

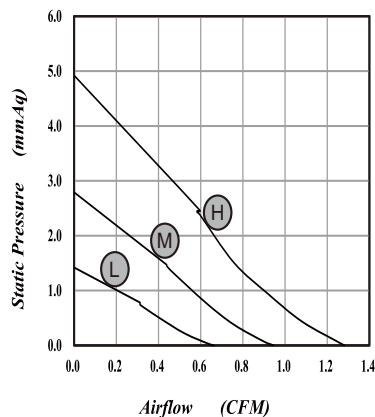
Protection: Auto Restart Protection or General Options



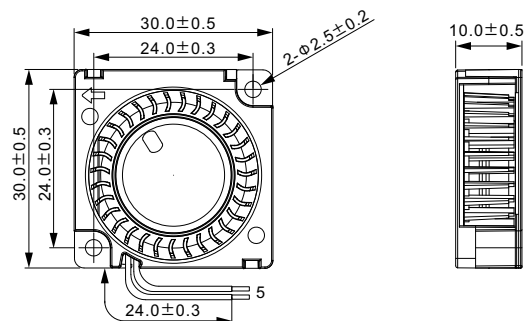
## SPECIFICATIONS

MODEL NO	VOLTAGE	CURRENT	POWER	SPEED	AIR FLOW		STATIC PRESSURE		NOISE	CURVE
	V	A	W	RPM	CMM	CFM	mmH <sub>2</sub> O	INH <sub>2</sub> O	(dBA)	
3010B/RVL-N (P/M) 5	5	0.18	0.90	5000	0.019	0.66	1.42	0.056	18.4	L
3010B/RVM-N (P/M) 5	5	0.25	1.25	7000	0.027	0.95	2.79	0.109	25.7	M
3010B/RVH-N (P/M) 5	5	0.32	1.60	9000	0.036	1.28	4.92	0.194	34.8	H
3010B/RVL-N (P/M) 1	12	0.13	1.56	5000	0.019	0.66	1.42	0.056	18.4	L
3010B/RVM-N (P/M) 1	12	0.20	2.40	7000	0.027	0.95	2.79	0.109	25.7	M
3010B/RVH-N (P/M) 1	12	0.32	3.84	9000	0.036	1.28	4.92	0.194	34.8	H

## PERFORMANCE CURVES



## DIMENSIONS DRAWING



\*Specifications are subject to change without notice