

## 6015-1 Blower Series

Dimensions: 60X60X15 mm

Bearing Type: Hydraulic, Ball Bearing

Function Type: FG/RD Signal, PWM pulse

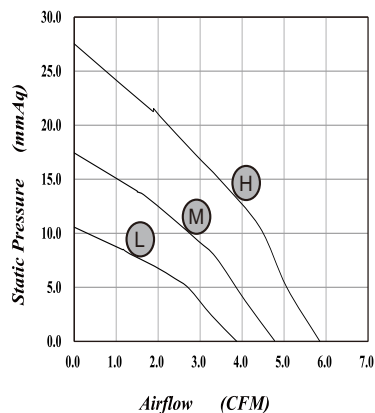
Protection: Auto Restart Protection or General Options



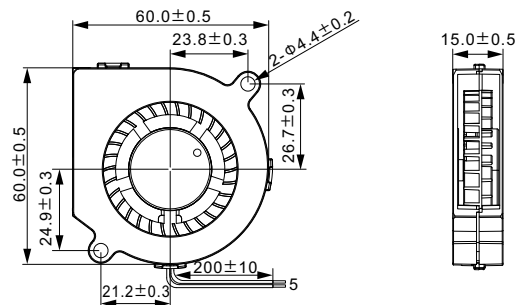
### SPECIFICATIONS

MODEL NO	VOLTAGE	CURRENT	POWER	SPEED	AIR FLOW		STATIC PRESSURE		NOISE	CURVE
	V	A	W	RPM	CMM	CFM	mmH <sub>2</sub> O	INH <sub>2</sub> O	(dBA)	
6015B/RVL-N (P/M) 5	5	0.30	1.50	4000	0.109	3.87	10.57	0.416	43.3	L
6015B/RVM-N (P/M) 5	5	0.40	2.00	5000	0.135	4.78	17.44	0.687	50.0	M
6015B/RVH-N (P/M) 5	5	0.50	2.50	6000	0.166	5.85	27.53	1.084	54.0	H
6015B/RVL-N (P/M) 1	12	0.22	2.64	4000	0.109	3.87	10.57	0.416	43.3	L
6015B/RVM-N (P/M) 1	12	0.33	3.96	5000	0.135	4.78	17.44	0.687	50.0	M
6015B/RVH-N (P/M) 1	12	0.45	5.40	6000	0.166	5.85	27.53	1.084	54.0	H

### PERFORMANCE CURVES



### DIMENSIONS DRAWING



\*Specifications are subject to change without notice