

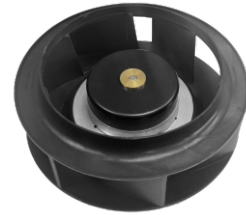
## 175 Centrifugal Series

Dimensions:  $\Phi 175 \times 69$  mm

Bearing Type: Ball Bearing

Function Type: FG/RD Signal, PWM pulse

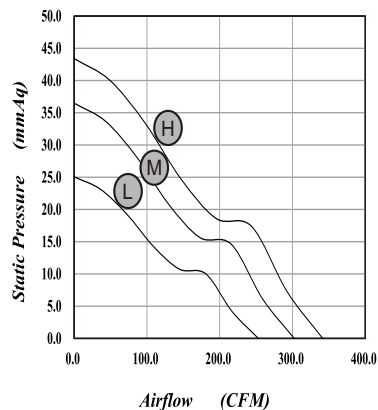
Protection: Auto Restart Protection or General Options



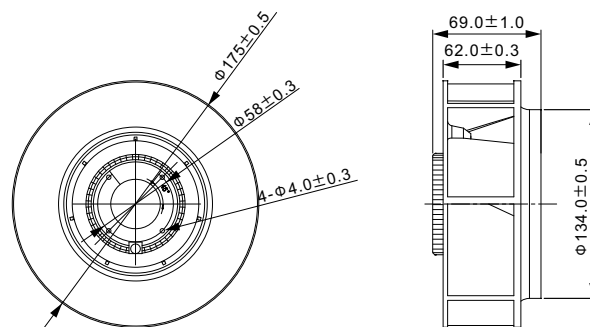
### SPECIFICATIONS

MODEL NO	VOLTAGE	CURRENT	POWER	SPEED	AIR FLOW		STATIC PRESSURE		NOISE	CURVE
	V	A	W	RPM	CMM	CFM	mmH <sub>2</sub> O	INH <sub>2</sub> O	(dBA)	
175BVL-N (P/M) 2	24	1.00	24.00	2500	7.167	253.12	25.06	0.986	64.7	L
175BVM-N (P/M) 2	24	2.00	48.00	3000	8.563	302.40	36.48	1.436	68.7	M
175BVH-N (P/M) 2	24	3.00	72.00	3500	9.671	341.54	43.40	1.708	72.0	H
175BVL-N (P/M) 4	48	1.00	48.00	2500	7.167	253.12	25.06	0.986	64.7	L
175BVM-N (P/M) 4	48	2.00	96.00	3000	8.563	302.40	36.48	1.436	68.7	M
175BVH-N (P/M) 4	48	2.50	120.00	3500	9.671	341.54	43.40	1.708	72.0	H

### PERFORMANCE CURVES



### DIMENSIONS DRAWING



\*Specifications are subject to change without notice