

5010 Blower Series

Dimensions: 50X50X10 mm

Bearing Type: FDB,Hydraulic,Ball Bearing

Function Type: FG/RD Signal,PWM pulse

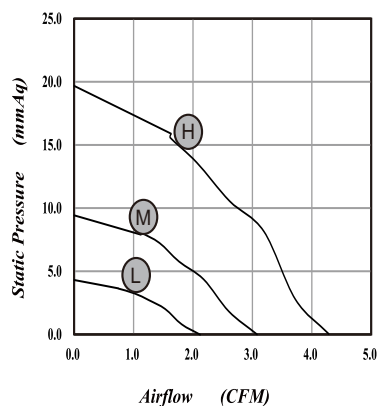
Protection: Auto Restart Protection or General Options



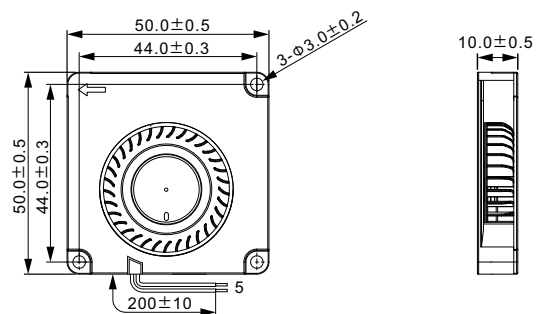
SPECIFICATIONS

MODEL NO	VOLTAGE	CURRENT	POWER	SPEED	AIR FLOW		STATIC PRESSURE		NOISE	CURVE
	V	A	W	RPM	CMM	CFM	mmH ₂ O	INH ₂ O	(dBA)	
5010B/RVL-N (P/M) 5	5	0.13	0.65	5000	0.060	2.12	4.31	0.170	28.7	L
5010B/RVM-N (P/M) 5	5	0.33	1.65	7000	0.090	3.08	9.43	0.370	35.0	M
5010B/RVH-N (P/M) 5	5	0.45	2.25	9500	0.120	4.29	19.78	0.780	44.4	H
5010B/RVL-N (P/M) 1	12	0.16	1.92	5000	0.060	2.12	4.31	0.170	28.7	L
5010B/RVH-N (P/M) 1	12	0.25	3.00	7000	0.090	3.08	9.43	0.370	35.0	M
5010B/RVM-N (P/M) 1	12	0.35	4.20	9500	0.120	4.29	19.78	0.780	44.4	H

PERFORMANCE CURVES



DIMENSIONS DRAWING



*Specifications are subject to change without notice