

## 17251-2 Axial Series

Dimensions: 172X151X51 mm

Bearing Type: Ball Bearing

Function Type: FG/RD Signal, PWM pulse

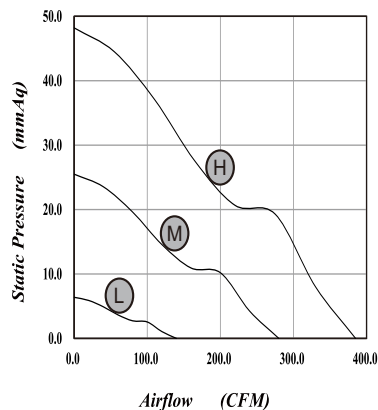
Protection: Auto Restart Protection or General Options



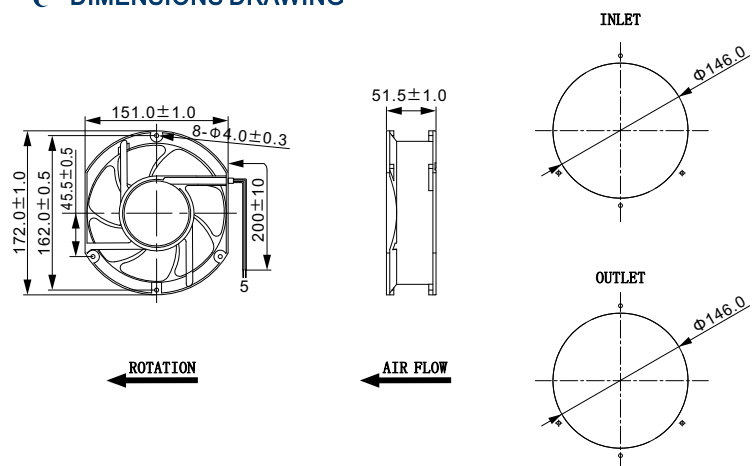
### SPECIFICATIONS

MODEL NO	VOLTAGE	CURRENT	POWER	SPEED	AIR FLOW		STATIC PRESSURE		NOISE	CURVE
	V	A	W	RPM	CMM	CFM	mmH <sub>2</sub> O	INH <sub>2</sub> O	(dBA)	
17251BVL-N (P/M) 1	12	1.50	18.00	2000	3.964	140.01	6.38	0.251	46.9	L
17251BVM-N (P/M) 1	12	2.00	24.00	4000	7.929	280.02	25.50	1.003	62.0	M
17251BVH-N (P/M) 1	12	3.80	45.60	5500	10.902	385.03	48.21	1.898	69.0	H
17251BVL-N (P/M) 2	24	1.00	24.00	2000	3.964	140.01	6.38	0.251	46.9	L
17251BVM-N (P/M) 2	24	1.70	40.80	4000	7.929	280.02	25.50	1.003	62.0	M
17251BVH-N (P/M) 2	24	2.50	60.00	5500	10.902	385.03	48.21	1.898	69.0	H
17251BVL-N (P/M) 4	48	0.55	26.40	2000	3.964	140.01	6.38	0.251	46.9	L
17251BVM-N (P/M) 4	48	0.85	40.80	4000	7.929	280.02	25.50	1.003	62.0	M
17251BVH-N (P/M) 4	48	1.20	57.60	5500	10.902	385.03	48.21	1.898	69.0	H

### PERFORMANCE CURVES



### DIMENSIONS DRAWING



\*Specifications are subject to change without notice