

7010 Triangle Fan Series

Dimensions: 70X70X10 mm

Bearing Type: FDB,Hydraulic,Ball Bearing

Function Type: FG/RD Signal,PWM pulse

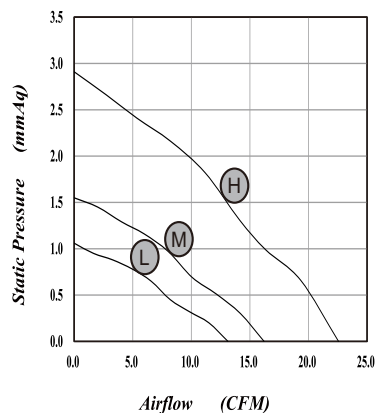
Protection: Auto Restart Protection or General Options



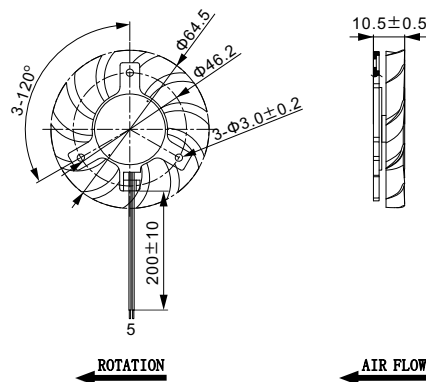
SPECIFICATIONS

MODEL NO	VOLTAGE	CURRENT	POWER	SPEED	AIR FLOW		STATIC PRESSURE		NOISE	CURVE
	V	A	W	RPM	CMM	CFM	mmH ₂ O	INH ₂ O	(dBA)	
7010B/RVL-N (P/M) 1	12	0.12	1.44	2500	0.372	13.13	1.06	0.042	25.0	L
7010B/RVM-N (P/M) 1	12	0.28	3.36	3100	0.459	16.21	1.55	0.061	30.8	M
7010B/RVH-N (P/M) 1	12	0.45	5.40	4300	0.639	22.56	2.91	0.115	40.5	H
7010B/RVL-N (P/M) 2	24	0.10	2.40	2500	0.372	13.13	1.06	0.042	25.0	L
7010B/RVM-N (P/M) 2	24	0.20	4.80	3100	0.459	16.21	1.55	0.061	30.8	M
7010B/RVH-N (P/M) 2	24	0.38	9.12	4300	0.639	22.56	2.91	0.115	40.5	H

PERFORMANCE CURVES



DIMENSIONS DRAWING



*Specifications are subject to change without notice