

18032 Axial Series

Dimensions: 180X180X32 mm

Bearing Type: Ball Bearing

Function Type: FG/RD Signal, PWM pulse

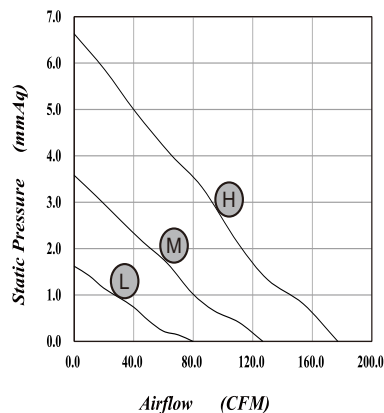
Protection: Auto Restart Protection or General Options



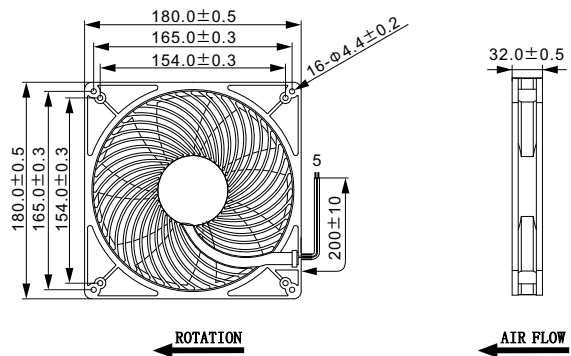
SPECIFICATIONS

MODEL NO	VOLTAGE	CURRENT	POWER	SPEED	AIR FLOW		STATIC PRESSURE		NOISE	CURVE
	V	A	W	RPM	CMM	CFM	mmH ₂ O	INH ₂ O	(dBA)	
18032BVL-N (P/M) 1	12	0.30	3.60	1000	2.263	79.88	1.62	0.064	28.5	L
18032BVM-N (P/M) 1	12	0.50	6.00	1500	2.593	126.83	3.58	0.141	41.4	M
18032BVH-N (P/M) 1	12	1.00	12.00	2100	5.020	177.20	6.63	0.261	50.1	H
18032BVL-N (P/M) 2	24	0.15	3.60	1000	2.263	79.88	1.62	0.064	28.5	L
18032BVM-N (P/M) 2	24	0.30	7.20	1500	2.593	126.83	3.58	0.141	41.4	M
18032BVH-N (P/M) 2	24	0.50	12.00	2100	5.020	177.20	6.63	0.261	50.1	H

PERFORMANCE CURVES



DIMENSIONS DRAWING



*Specifications are subject to change without notice