

6010 Axial Series

Dimensions: 60X60X10 mm

Bearing Type: FDB,Hydraulic,Ball Bearing

Function Type: FG/RD Signal,PWM pulse

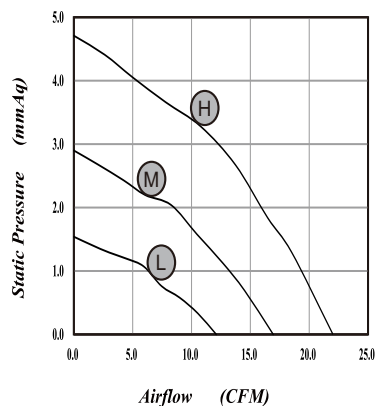
Protection: Auto Restart Protection or General Options



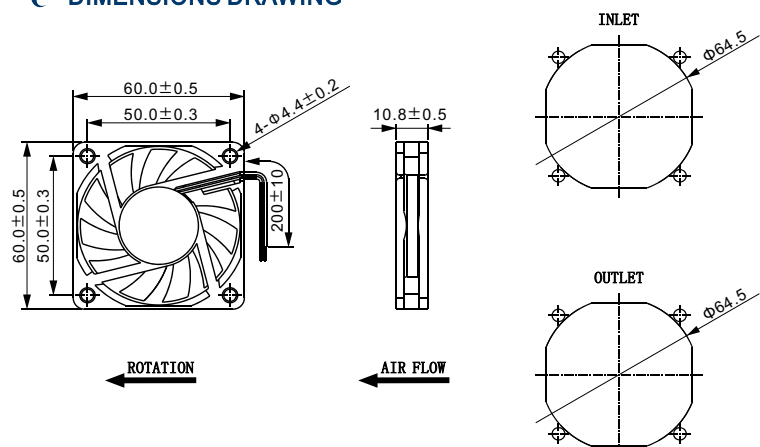
SPECIFICATIONS

MODEL NO	VOLTAGE	CURRENT	POWER	SPEED	AIR FLOW		STATIC PRESSURE		NOISE	CURVE
	V	A	W	RPM	CMM	CFM	mmH ₂ O	INH ₂ O	(dBA)	
6010B/RVL-N (P/M) 5	5	0.20	1.00	3000	0.305	10.77	1.33	0.052	30.3	L
6010B/RVM-N (P/M) 5	5	0.38	1.90	4200	0.446	15.74	2.79	0.110	34.5	M
6010B/RVH-N (P/M) 5	5	0.55	2.75	5400	0.586	20.70	4.64	0.183	39.5	H
6010B/RVL-N (P/M) 1	12	0.11	1.32	3000	0.305	10.77	1.33	0.052	30.3	L
6010B/RVM-N (P/M) 1	12	0.20	2.40	4200	0.446	15.74	2.79	0.110	34.5	M
6010B/RVH-N (P/M) 1	12	0.45	5.40	5400	0.586	20.70	4.64	0.183	39.5	H
6010B/RVL-N (P/M) 2	24	0.08	1.92	3000	0.357	12.62	1.72	0.068	30.3	L
6010B/RVM-N (P/M) 2	24	0.13	3.12	4200	0.409	14.46	2.50	0.099	34.5	M
6010B/RVH-N (P/M) 2	24	0.28	6.72	5400	0.489	17.28	3.46	0.136	39.5	H

PERFORMANCE CURVES



DIMENSIONS DRAWING



*Specifications are subject to change without notice