

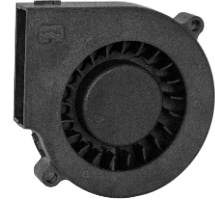
7015 Blower Series

Dimensions: 77X75X15.5 mm

Bearing Type: FDB,Hydraulic,Ball Bearing

Function Type: FG/RD Signal,PWM pulse

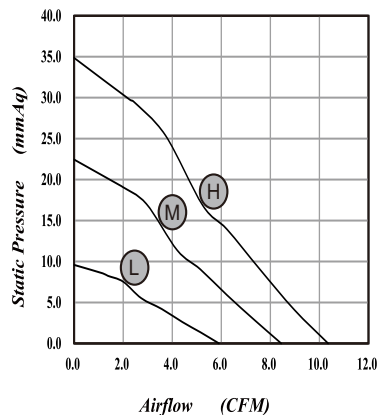
Protection: Auto Restart Protection or General Options



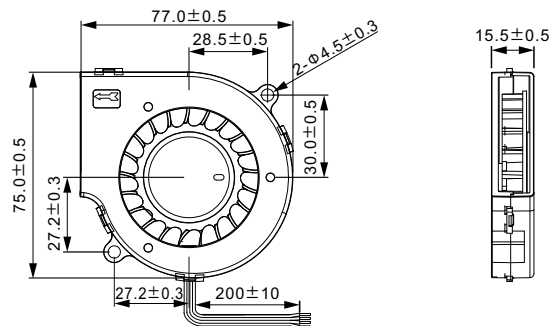
SPECIFICATIONS

MODEL NO	VOLTAGE	CURRENT	POWER	SPEED	AIR FLOW		STATIC PRESSURE		NOISE	CURVE
	V	A	W	RPM	CMM	CFM	mmH ₂ O	INH ₂ O	(dBA)	
7015B/RVL-N (P/M) 1	12	0.24	2.88	2800	0.167	5.91	9.58	0.377	33.9	L
7015B/RVM-N (P/M) 1	12	0.35	4.20	4000	0.239	8.44	22.44	0.883	44.6	M
7015B/RVH-N (P/M) 1	12	0.55	6.60	5000	0.293	10.36	34.85	1.372	52.2	H
7015B/RVL-N (P/M) 2	24	0.12	2.88	2600	0.167	5.91	9.58	0.377	33.9	L
7015B/RVM-N (P/M) 2	24	0.22	5.28	4000	0.239	8.44	22.44	0.883	44.6	M
7015B/RVH-N (P/M) 2	24	0.40	9.60	5000	0.293	10.36	34.85	1.372	52.2	H

PERFORMANCE CURVES



DIMENSIONS DRAWING



*Specifications are subject to change without notice