

4010-1 Axial Series

Dimensions: 40X40X10 mm

Bearing Type: FDB,Hydraulic,Ball Bearing

Function Type: FG/RD Signal,PWM pulse

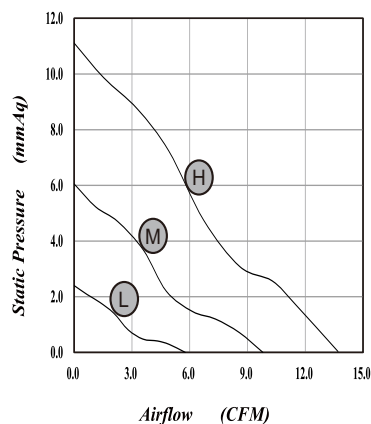
Protection: Auto Restart Protection or General Options



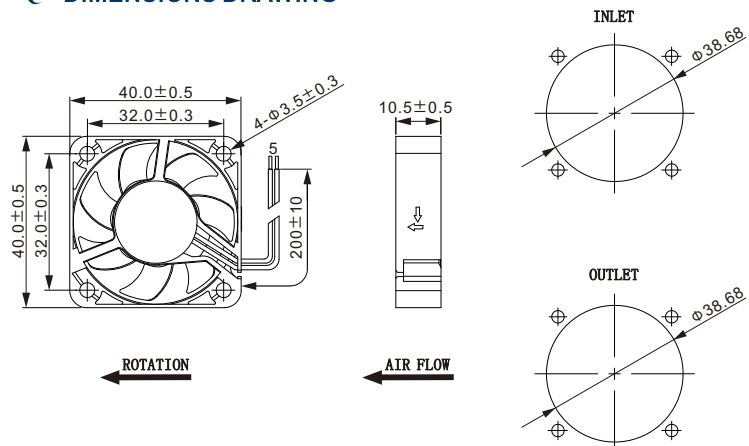
SPECIFICATIONS

MODEL NO	VOLTAGE	CURRENT	POWER	SPEED	AIR FLOW		STATIC PRESSURE		NOISE	CURVE
	V	A	W	RPM	CMM	CFM	mmH ₂ O	INH ₂ O	(dBA)	
AD4010B/R05L-N (P/M)	5	0.20	1.00	5000	0.163	5.77	2.40	0.094	25.0	L
AD4010B/R05M-N (P/M)	5	0.35	1.75	8000	0.278	9.80	6.05	0.238	36.9	M
AD4010B/R05H-N (P/M)	5	0.45	2.25	11000	0.388	13.70	11.11	0.437	43.0	H
4010B/RVL-N (P/M) 1	12	0.13	1.56	5000	0.163	5.77	2.40	0.094	25.0	L
4010B/RVM-N (P/M) 1	12	0.22	2.64	8000	0.278	9.80	6.05	0.238	36.9	M
4010B/RVH-N (P/M) 1	12	0.35	4.20	11000	0.388	13.70	11.11	0.437	43.0	H
4010B/RVL-N (P/M) 2	24	0.12	2.88	5000	0.163	5.77	2.40	0.094	25.0	L
4010B/RVM-N (P/M) 2	24	0.18	4.32	8000	0.278	9.80	6.05	0.238	36.9	M
4010B/RVH-N (P/M) 2	24	0.29	6.96	11000	0.388	13.70	11.11	0.437	43.0	H

PERFORMANCE CURVES



DIMENSIONS DRAWING



*Specifications are subject to change without notice