

## 5020 Blower Series

Dimensions: 50X50X20 mm

Bearing Type: FDB,Hydraulic,Ball Bearing

Function Type: FG/RD Signal,PWM pulse

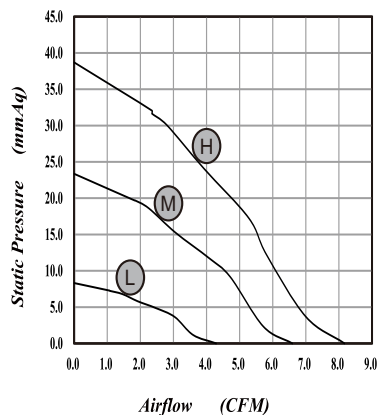
Protection: Auto Restart Protection or General Options



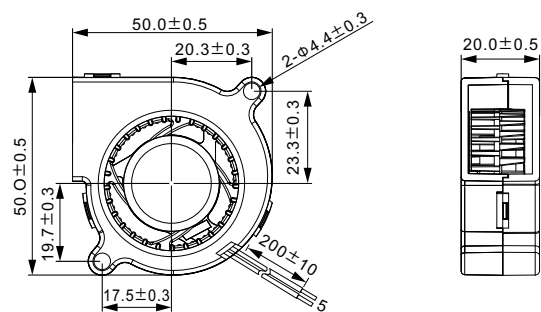
## SPECIFICATIONS

| MODEL NO            | VOLTAGE | CURRENT | POWER | SPEED | AIR FLOW |      | STATIC PRESSURE    |                    | NOISE | CURVE |
|---------------------|---------|---------|-------|-------|----------|------|--------------------|--------------------|-------|-------|
|                     | V       | A       | W     | RPM   | CMM      | CFM  | mmH <sub>2</sub> O | INH <sub>2</sub> O | (dBA) |       |
| 5020B/RVL-N (P/M) 1 | 12      | 0.12    | 1.44  | 4500  | 0.122    | 4.29 | 8.31               | 0.327              | 29.5  | L     |
| 5020B/RVM-N (P/M) 1 | 12      | 0.26    | 3.12  | 6800  | 0.186    | 6.59 | 23.35              | 0.919              | 41.3  | M     |
| 5020B/RVH-N (P/M) 1 | 12      | 0.68    | 8.16  | 8500  | 0.231    | 8.17 | 38.70              | 1.524              | 47.1  | H     |
| 5020B/RVL-N (P/M) 2 | 24      | 0.15    | 3.60  | 4500  | 0.122    | 4.29 | 8.31               | 0.327              | 29.5  | L     |
| 5020B/RVM-N (P/M) 2 | 24      | 0.20    | 4.80  | 6800  | 0.186    | 6.59 | 23.35              | 0.919              | 41.3  | M     |
| 5020B/RVH-N (P/M) 2 | 24      | 0.35    | 8.40  | 8500  | 0.231    | 8.17 | 38.70              | 1.524              | 47.1  | H     |

## PERFORMANCE CURVES



## DIMENSIONS DRAWING



\*Specifications are subject to change without notice