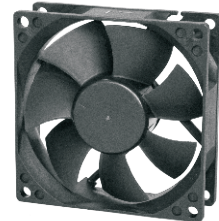


8025-2 Axial Series

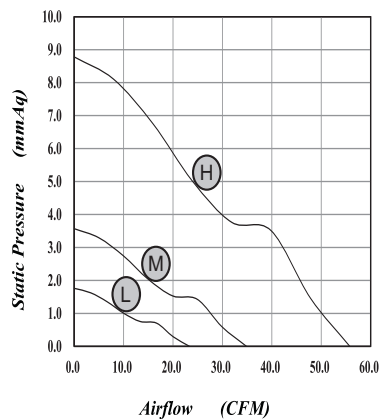
Dimensions: 80X80X25 mm
 Bearing Type: FDB,Hydraulic,Ball Bearing
 Function Type: FG/RD Signal,PWM pulse
 Protection: Auto Restart Protection or General Options



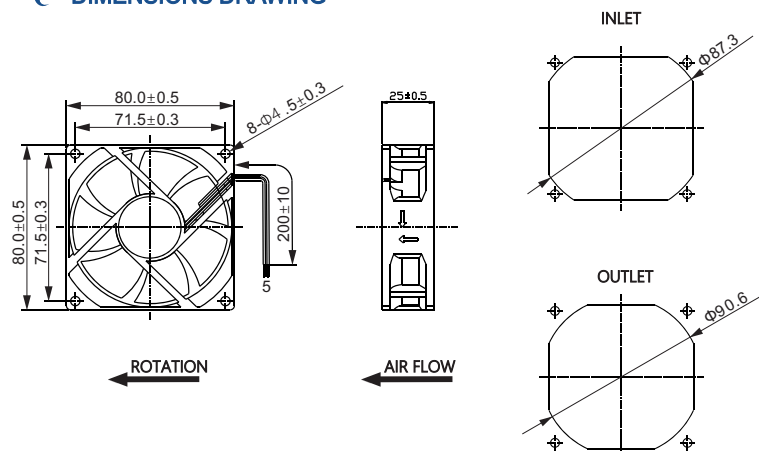
SPECIFICATIONS

MODEL NO	VOLTAGE	CURRENT	POWER	SPEED	AIR FLOW		STATIC PRESSURE		NOISE	CURVE
	V	A	W	RPM	CMM	CFM	mmH ₂ O	INH ₂ O	(dBA)	
AD8025B/R12L-N(P/M)	12	0.13	1.56	2000	0.661	23.36	1.76	0.069	25.3	L
AD8025B/R12M-N(P/M)	12	0.26	3.12	3000	0.988	34.88	3.57	0.141	32.7	M
AD8025B/R12H-N(P/M)	12	0.51	6.12	4500	1.580	55.79	8.78	0.346	44.4	H
AD8025B/R24L-N(P/M)	24	0.11	2.64	2000	0.661	23.36	1.76	0.069	25.3	L
AD8025B/R24M-N(P/M)	24	0.22	5.28	3000	0.988	34.88	3.57	0.141	32.7	M
AD8025B/R24H-N(P/M)	24	0.38	9.12	4500	1.580	55.79	8.78	0.346	44.4	H
AD8025B/R48L-N(P/M)	48	0.08	3.84	2000	0.661	23.36	1.76	0.069	25.3	L
AD8025B/R48M-N(P/M)	48	0.18	8.64	3000	0.988	34.88	3.57	0.141	32.7	M
AD8025B/R48H-N(P/M)	48	0.30	14.40	4500	1.580	55.79	8.78	0.346	44.4	H

PERFORMANCE CURVES



DIMENSIONS DRAWING



*Specifications are subject to change without notice

