

## 8020 Axial Series

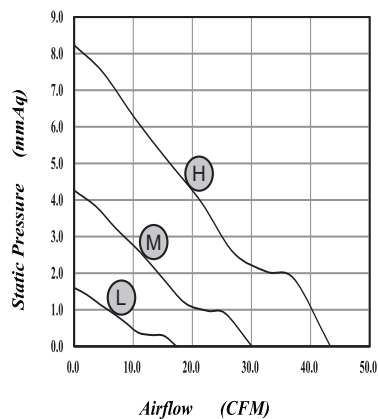
Dimensions: 80X80X20 mm  
 Bearing Type: FDB,Hydraulic,Ball Bearing  
 Function Type: FG/RD Signal,PWM pulse  
 Protection: Auto Restart Protection or General Options



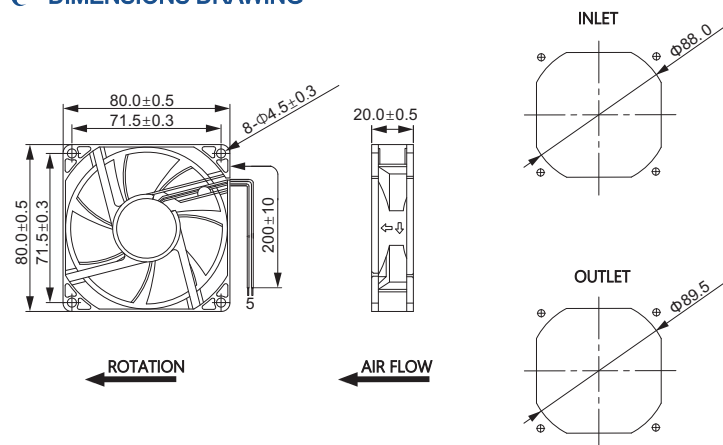
## SPECIFICATIONS

MODEL NO	VOLTAGE	CURRENT	POWER	SPEED	AIR FLOW		STATIC PRESSURE		NOISE	CURVE
	V	A	W	RPM	CMM	CFM	mmHzO	INH <sub>2</sub> O	(dBA)	
8020B/RVL-N(P/M)5	5	0.28	1.40	2000	0.491	17.34	1.60	0.063	24.5	L
8020B/RVM-N(P/M)5	5	0.45	2.25	3500	0.850	30.04	4.26	0.168	37.0	M
8020B/RVH-N(P/M)5	5	0.65	3.25	5000	1.225	43.30	8.23	0.324	46.8	H
8020B/RVL-N(P/M)1	12	0.15	1.80	2000	0.491	17.34	1.60	0.063	24.5	L
8020B/RVM-N(P/M)1	12	0.40	4.80	3500	0.850	30.04	4.26	0.168	37.0	M
8020B/RVH-N(P/M)1	12	0.50	6.00	5000	1.225	43.30	8.23	0.324	46.8	H
8020B/RVL-N(P/M)2	24	0.10	2.40	2000	0.491	17.34	1.60	0.063	24.5	L
8020B/RVM-N(P/M)2	24	0.25	6.00	3500	0.850	30.04	4.26	0.168	37.0	M
8020B/RVH-N(P/M)2	24	0.45	10.80	5000	1.225	43.30	8.23	0.324	46.8	H

## PERFORMANCE CURVES



## DIMENSIONS DRAWING



\*Specifications are subject to change without notice

